




5-12-2014

Digital Circuit Projects: An Overview of Digital Circuits Through Implementing Integrated Circuits - Second Edition

Charles W. Kann
Gettysburg College

Follow this and additional works at: <https://cupola.gettysburg.edu/oer>

 Part of the [Digital Circuits Commons](#), and the [Systems Architecture Commons](#)

Share feedback about the accessibility of this item.

Kann, Charles W., "Digital Circuit Projects: An Overview of Digital Circuits Through Implementing Integrated Circuits - Second Edition" (2014). *Gettysburg College Open Educational Resources*. 1.
<https://cupola.gettysburg.edu/oer/1>

This open access book is brought to you by The Cupola: Scholarship at Gettysburg College. It has been accepted for inclusion by an authorized administrator of The Cupola. For more information, please contact cupola@gettysburg.edu.

Digital Circuit Projects: An Overview of Digital Circuits Through Implementing Integrated Circuits - Second Edition

Description

Digital circuits, often called Integrated Circuits or ICs, are the central building blocks of a Central Processing Unit (CPU). To understand how a computer works, it is essential to understand the digital circuits which make up the CPU. This text introduces the most important of these digital circuits; adders, decoders, multiplexers, D flip-flops, and simple state machines.

What makes this textbook unique is that it puts the ability to understand these circuits into the hands of anyone, from hobbyists to students studying Computer Science. This text is designed to teach digital circuits using simple projects the reader can implement. But unlike most lab manuals used in classes in Digital Circuits or Computer Organization classes, this textbook is designed to remove the barrier of a laboratory infrastructure needed in a face-to-face environment at a college or university. This textbook is designed to be used by the reader to create the circuits in their own homes. The textbook is free. The cost of the kits needed to do the labs is reasonable. And the projects are well documented and can be implemented by even novices to electronic projects.

This text allows professors to add laboratory projects in digital circuits to students in online classes in Computer Organization. This enhances these classes with interesting and fun exercises that reinforce the classroom topics.

This text can also be used by a hobbyist who wants to learn more about digital circuits and how computers work. The material is presented at a level that someone with no experience in digital circuits and electronics can successfully complete the projects, and gain an understanding of the circuits which go into making up a computer.

The second edition of this includes a chapter on Boolean Algebra for professors who would like to include a more formal background into digital circuits. It also changed the chapter designed to give a context for the CPU to reference a relatively simple CPU developed by the author in Logisim.

For someone who is interested in digital circuits, this book is worth downloading.

Note: Often it is easier to use a MS Word file rather than a pdf file. If you would like the book as a Word document and not a pdf, please contact the author at ckann(at)gettysburg.edu, and he will mail it to you. The main reason for this is to get some sort of feedback on who is using the text.

Keywords

Digital Circuits, System Architecture, Computer Organization, Integrated Circuits, Computer Logic, Central Processing Unit (CPU), Processor Architecture, Multiplexer, Decoder, Arithmetic Logic Unit, Register File, Flip-Flop, Memory, Memory Latch, Adder, Full Adder, Half Adder, State Computer, State Machine, Mod 4 Counter, 7400 Series, Digital Circuit Lab Manual, Electronic Circuits, Electronic Projects, Digital Circuit Projects, Computer Science Online, Online Laboratory Manual, Laboratory Manual

Disciplines

Digital Circuits | Systems Architecture

Comments

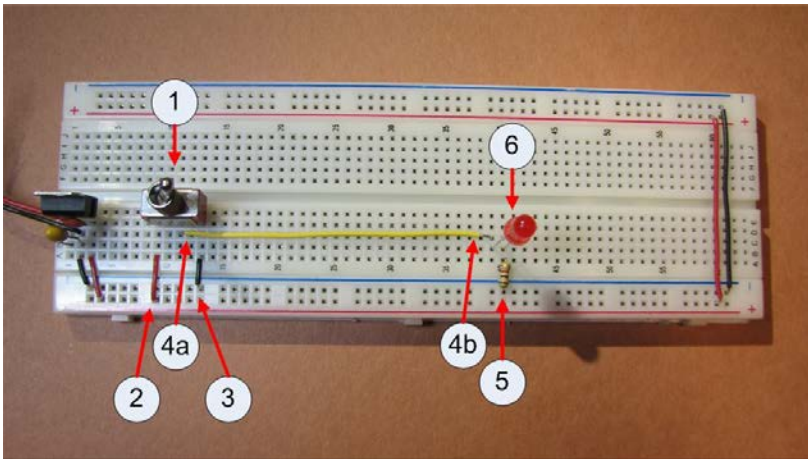
Figures (including the Logisim circuits) are accessible at <http://chuckkann.com/>

For readers interested in the the first edition of this book can be found at <http://chuckkann.com>.

Please contact the author at ckann@gettysburg.edu if you adopt this book for a course - thanks!

Creative Commons License

This work is licensed under a [Creative Commons Attribution 4.0 License](https://creativecommons.org/licenses/by/4.0/).



DIGITAL CIRCUIT PROJECTS

Understanding Digital Circuits through Implementation
Second Edition

ABSTRACT

This text explains some of the most basic digital circuits by implementing them on a breadboard. The use of the circuits in a CPU is then illustrated. This text is intended as a laboratory manual for a class is Computer Organization, or for use by a hobbyist who just wants to learn more about computer hardware.

Charles W. Kann

© Charles W. Kann III
277 E. Lincoln Ave.
Gettysburg, Pa

All rights reserved.



[This book is licensed under the Creative Commons Attribution 4.0 License](#)

This book is available for free download from <http://cupola.gettysburg.edu/oer/1/>.

Supporting materials for this text book can be found at <http://chuckkann.com>.

Table of Contents

Chapter 1 Before you start.....	13
1.1 Introduction	13
1.2 Computers and magic	13
1.3 Reading this text	14
1.4 Materials Needed.....	14
1.4.1 Logisim	14
1.4.2 Hardware	14
1.5 Some notes	16
1.6 Conclusion.....	17
Chapter 2 Background Material.....	19
2.1 Introduction	19
2.2 A Universal Set of Boolean Operations.....	19
2.3 Truth Tables	20
2.4 Disjunctive Normal Form(DNF)	21
2.4.1 Boolean Relationships.....	22
2.5 Karnaugh Maps (K-maps).....	23
2.5.1 Gray Codes	23
2.5.2 2-Variable Karnaugh Maps.....	24
2.5.3 3-Variable Karnaugh Maps.....	25
2.5.4 4-Variable Karnaugh Maps.....	27
2.5.5 Don't care conditions.....	30
2.6 Conclusion.....	31
2.7 Exercises.....	32
Chapter 3 Getting started	35
3.1 Introduction	35
3.2 Logisim circuit to turn on a light	35
3.3 Implementing the switch circuit to turn on a light	36
3.3.1 The breadboard.....	37
3.3.2 Stripping wires	38
3.3.3 Powering the Circuit.....	40
3.3.4 Installing the switch	43
3.3.5 Completing the Circuit	44
3.4 Debugging the circuit	45
3.5 Exercises.....	46

Chapter 4 Gates	47
4.1 Introduction	47
4.2 Boolean logic and binary values.....	47
4.3 Unary operations	47
4.4 Binary Operations	48
4.5 Implementing the AND gate circuit	49
4.5.1 ICs and the 7408 chip.....	49
4.5.2 The datasheet	50
4.5.3 Creating the AND circuit	51
4.6 Exercises.....	52
Chapter 5 Associative Boolean operators.....	55
5.1 Introduction	55
5.2 Modeling associative operations in Logisim	55
5.3 Implementing the circuit.....	56
5.3.1 Implementing the serial AND circuit.....	56
5.3.2 Implementing the parallel AND circuit	58
5.4 Conclusion.....	58
5.5 Exercises.....	58
Chapter 6 Adders	61
6.1 Introduction	61
6.2 Half adder.....	61
6.2.1 Adding binary numbers.....	61
6.2.2 Half adder circuit.....	62
6.2.3 Half adder implementation.....	63
6.3 Full adder	64
6.3.1 Full adder circuit	65
6.3.2 Full adder implementation	66
6.4 2-bit adder circuit.....	68
6.5 Conclusion.....	69
6.6 Exercises.....	69
Chapter 7 Decoders	71
7.1 Introduction	71
7.2 Decoder circuit.....	71
7.3 2-to-4 decoder implementation	72
7.4 Implementing a decoder using a single chip.....	74

7.4.1 The 74139 chip.....	74
7.4.2 Implementing one 2-to-4 decoder using the 74139 chip	76
7.5 Conclusion.....	77
7.6 Exercises.....	77
Chapter 8 Multiplexers	79
8.1 Introduction	79
8.2 Circuit Diagram for a MUX	81
8.3 Implementing a MUX	83
8.4 74153 MUX chip.....	85
8.5 74153 circuit diagram	85
8.6 Implementing the 74153 circuit.....	86
8.7 Conclusion.....	87
8.8 Exercises.....	87
Chapter 9 Memory basics - flip-flops and latches.....	89
9.1 Introduction	89
9.2 Background material.....	89
9.2.1 State	89
9.2.2 Static and dynamic memory	90
9.2.3 Square Wave	90
9.3 Latches	90
9.3.1 D latch	91
9.3.2 Circuit diagram for a D latch	92
9.3.3 Implementing the D latch	93
9.3.4 D latch as a single IC chip	95
9.3.5 Implementation of a D latch using a 7475 chip	96
9.3.6 Limitations of the D latch.....	96
9.4 Edge triggered flip-flop	98
9.5 Conclusion.....	100
9.6 Exercises.....	100
Chapter 10 Sequential circuits	101
10.1 Introduction	101
10.2 Debouncing	101
10.3 Implementing a state machine	102
10.3.1 Mod 4 counter	102
10.3.2 Implementation of a state transition diagram.....	103

10.3.3 Hardware implementation of next state logic.....	104
10.3.4 Read Only Memory	105
10.3.5 Implementation of the Mod 4 counter.....	106
10.4 Conclusion.....	109
10.5 Exercises.....	109
Chapter 11 Use of these ICs in a CPU.....	111
11.1 An overview of the CPU.	111
11.2 Flip Flops	112
11.3 Muxes.....	112
11.4 Adder.....	112
11.5 Decoder.....	113
11.6 Summary	113

Table of Figures

Figure 3-1: Logisim circuit to turn on light.	36
Figure 3-2: Typical breadboard.....	37
Figure 3-3: Breadboard layout	38
Figure 3-4: Wire strippers	39
Figure 3-5: A stripped wire.....	40
Figure 3-6: 7805 voltage regulator.....	41
Figure 3-7: Powering the breadboard.....	41
Figure 3-8: LED	42
Figure 3-9: Toggle switch.....	43
Figure 3-10: Completed circuit.....	44
Figure 3-11: Debugging the circuit.....	45
Figure 4-1: Buffer and inverter gates.....	48
Figure 4-2: Buffer and inverter circuit in Logisim	48
Figure 4-3 Truth table for AND and OR.....	48
Figure 4-4: AND, OR, and XOR gates.....	49
Figure 4-5: AND, OR, and XOR gate circuit	49
Figure 4-6: 7408 chip, circle indicates top of chip.	50
Figure 4-7: 7408 chip, notch indicates top of chip.	50
Figure 4-8: 7408 pin configuration diagram	51
Figure 4-9: 7408 AND gate circuit	52
Figure 5-1: Serial AND circuit	55
Figure 5-2: Parallel AND circuit	56
Figure 5-3: 7408 pin configuration diagram	57
Figure 5-4: Serial AND implementation	57
Figure 5-5: Parallel AND implementation	58
Figure 6-1: ALU	61
Figure 6-2: Half adder truth table	62
Figure 6-3: Half adder circuit	62
Figure 6-4: 7486 pin configuration diagram.....	63
Figure 6-5: Half adder implementation.....	64
Figure 6-6: Addition problem showing a carry bit.....	65
Figure 6-7: Full adder truth table	65
Figure 6-8: Full adder circuit	66
Figure 6-9: Full adder implementation	67
Figure 6-10: 2 bit full adder circuit.....	68
Figure 7-1: Control lines for ALU	71
Figure 7-2: Decoder used to set ALU control lines	71
Figure 7-3: Decoder circuit.....	72
Figure 7-4: 7404 pin configuration diagram.....	73
Figure 7-5: Decoder circuit.....	74
Figure 7-6: 74139 pin configuration diagram.....	75
Figure 7-7: 74139 decoder circuit.....	76
Figure 8-1: Multiplexer as a memory selector	79
Figure 8-2: Truth table for a MUX	80
Figure 8-3: 1-bit 4-to-1 MUX	80
Figure 8-4: 4-to-2 MUX.....	80

Figure 8-5: Two 4-to-8 MUXes	81
Figure 8-6: Schematic of a MUX.....	82
Figure 8-7: Decoder used to implement a MUX.....	83
Figure 8-8: 4-to-1 MUX.....	84
Figure 8-9: 74153 circuit diagram	85
Figure 8-10: 74153 pin configuration diagram	86
Figure 8-11: 74153 circuit	87
Figure 9-1: Memory in a CPU	89
Figure 9-2: Square Wave	90
Figure 9-3: D latch.....	91
Figure 9-4: Characteristic truth-table for a D latch.....	91
Figure 9-5: D latch with enable bit	92
Figure 9-6: Truth-table for a D latch with enable bit.....	92
Figure 9-7: Circuit diagram for a D latch	92
Figure 9-8: Implementation of a D latch.....	93
Figure 9-9: 7475 pin configuration	94
Figure 9-10: 7475 pin meanings	95
Figure 9-11: : D latch using a 7475 chip.....	96
Figure 9-12: State transition with multiply operation	97
Figure 9-13: State transition with add operation.....	97
Figure 9-14: Two D latches to hold correct state.....	98
Figure 9-15: Small time delay rising edge	98
Figure 9-16: Edge trigger time in square wave.....	99
Figure 9-17: Illustrative example of D flip-flop	99
Figure 9-18: Actual implementation of a D flip-flop.....	99
Figure 10-1: State diagram for a mod 4 counter	102
Figure 10-2: State transition table for a mod 4 counter	103
Figure 10-3: Circuit overview for a state machine.....	103
Figure 10-4: Hardware implementation for a mod 4 counter	104
Figure 10-5: ROM implementation of a mod 4 counter	105
Figure 10-6: Mux implementation of next state logic for a mod 4 counter	106
Figure 10-7: 74153 pin layout diagram.....	107
Figure 10-8: 7474 pin layout.....	107
Figure 10-9: Mod 4 counter	108
Figure 10-10: ALU Implementation.....	113
Figure 10-11: Decoder used in the CU for a CPU	113

I Forward

This text is designed provide an overview of the basic digital integrated circuits (ICs) that make up the Central Processing Unit (CPU) of a computer. The coverage of the material is at a sufficiently deep level that the text could be used as a supplemental text for a class in Computer Organization, but the material should be easily understandable by a hobbyist who wants a better understanding of how a computer works.

1.1 Why this book?

This book is designed to address three issues. The first is that textbooks are far too expensive. As having completed my 4th book shows, I understand the large amount of effort that goes into writing, editing, producing, and distributing these books. But the work involved no way justifies the exorbitant prices that are charged, and the resultant extravagant lengths people go to in order to avoid paying those prices. It all plays into a hyper-materialistic capitalism that can only eventually fail as it pits consumers against producers, and ignores the overall societal good. I hope by releasing free books (or books with nominal costs) that we can start to have a discussion about the relative merits of this type of unfettered capitalism, and perhaps come up with better, more sustainable market based economic models.

The larger problem with high priced textbooks is the cost alone becomes an impediment to many people who wish to learn the material. Social good is advanced when information can be easily disseminated, shared, and discussed. I view providing this book for free as my contribution to those who want to learn this material.

The second reason for this text is to provide a way to incorporate labs into classes in Computer Organization, particularly online classes. As many colleges and universities moving more classes online, there is a need to translate beneficial methodologies from face-to-face environments to formats where they are useful in an online environment. One such instructional methodology that is hard to translate is laboratory experiences. A class in Computer Organization benefits immensely from labs that allow the students to create physical circuits. Labs provide reinforcement for the material covered in class, and the labs represent a fun and exciting way for students to interact with this material. This text is meant to provide a way to incorporate labs into any class on Computer Organization, but especially online classes.

Finally, this text book is written for hobbyists who want to better understand digital circuits and how they work. It is designed for the complete novice, someone who has never seen a breadboard or IC chip. In fact, it is hoped that people who are afraid they could never get a circuit to work, or understand what it does, will try the exercises in this book and find out just how much talent they have when it comes to understanding and creating circuits.

1.2 Intended Audience

The intended audience is central to what material is covered, the order in which it is covered, and how it is covered. Thus understanding the intended audience will help the reader understand how the book is oriented and how to use it.

This book is designed for two types of people. The first is hobbyists who want to understand how a computer works, and would like to be able to build digital circuits using standard chips

they can easily buy online. The book is designed to describe and implement the major ICs used in a CPU, and to give a rough idea of how they are used.

The second audience for this text is students who are taking a class in Computer Organization, which is the study of how a CPU works, and the various issues in the design of computers. The text is intended as a lab manual for a Computer Organization class, and in particular targeted at students who are taking this class in an online environment.

Understanding the target audience for this book is important understand how it is written. First the book is written to make understanding and implementing circuits as simple as possible for novices who have little support in implementing these labs. The labs assume no institutional infrastructure or support. No lab space or extra equipment should be needed, and students should be able to complete these labs at home with only the equipment listed in chapter 1.

Second the book is written to address the interests and needs of both the hobbyist and CS students. Both groups have similar but somewhat different levels of interests and the text attempts to address the needs of both groups.

How the text supports these two groups is explained in the next two sections.

1.3 Easy to understand circuit design and implementation

One important characteristic of the target readers for this book is that they will have little or no face-2-face support when implementing the components. Thus the book is written to help maximize the chance for success in implementing the circuits in each chapter. To do this the book does the following:

- 1) All parts that are needed for all circuits are listed, and can be easily obtained from a number of online sources. There is no need to start a project and reach a point where some extra part is needed.
- 2) An attempt was made to keep the kits as low cost as possible. This text is free for download. When the text was written, a complete lab kit (without tools) could be ordered as parts for \$20-\$25, with \$5-\$10 extra if wire strippers or pliers are not available. This is a reasonable cost considering many textbooks today can sell for \$100 or more.
- 3) Even simple steps, such as how to strip wires, are covered.
- 4) An overview of each circuit is given, where the functioning of the circuit and how it is used is explained. Detailed step-by-step instructions with photographs are included with each lab so that the actual wiring of the circuit can be examined.
- 5) Extensive use is made of a powerful yet easy to use circuit design tool named Logisim. Logisim allows the reader to interact with the circuits and components presented in each chapter to understand how they work, and to modify these circuits to implement enhanced functionality for the component.

1.4 Material covered in the text

A hobbyist will be most interested in a general understand of what each digital component is, and how it is used in a CPU. They are also interested in implementing successful projects which are fun, while gaining some understanding of the material.

Students using this text as a lab manual are more interested in understanding the details of digital circuits, in particular how to the circuits in their Computer Organization class, and often beyond. Since the students will often be online, success in the projects is also a major goal; as is having fun. Let's face it, actually implementing working, physical objects that turn light bulbs on should be, and is, fun. There is no reason not to have fun while enhancing learning.

This book is designed to engage both types of readers. Chapters 2, 3 4, and 5 of the book are designed to give the reader some basic understanding of Boolean algebra, how a CPU works, and how to build a circuit on a breadboard. The material on Boolean algebra is not rigorous, and a class in Computer Organization would need to supplement this material. The description of a CPU needs to be greatly extended for a class in Computer Organization. But the material in this text is sufficient for the reader to understand enough Boolean algebra to understand basic circuits, and how they are used in a CPU.

Each subsequent chapter will cover one digital component. The chapter will contain an overview of the component, and a brief description of how it can be used in a CPU. For instructors who desire that students do more with the circuits than what is presented in the chapter, exercises (both in Logisim and with the breadboards) are given at the end of each chapter.

II Additional text materials

This text can be downloaded from <http://cupola.gettysburg.edu/oer/1>. Additional materials for the text, including a complete parts list from commercial suppliers with part numbers and prices can be found at <http://chuckkann.com>.

III About the second edition

Other than numerous edits to fix errata in the first edition, the main reason for this new release of the text are two fold, and based on the feedback I have received from the first edition.

1. Chapter 2 has been changed to provide a more theoretic background in Boolean algebra for the cases where this book is being used in a course on Computer Organization. This chapter can safely skipped by a hobbyist only interested in how digital circuits work.
2. The chapter 2 in the first edition was intended to give a context for the ICs developed in this text. It seemed out of place and disjointed from the rest of the text. The role of chapter 2 has been moved to chapter 11, which shows the ICs in the context of a working CPU developed by the author.

IV Using this book in a class on Computer Organization

The central question for professors looking to use this book is how the book can be applied to their classes. The following is an outline of how I use this text in a Computer Organization class.

In a class on Computer Organization I generally do not get into CPU data path until the eighth week of the semester. For the first seven weeks of the semester I cover background material. The first two weeks of the semester I cover a basic review of material that I find students often

do not understand well. Boolean Algebra, binary mathematics (2's complement addition, subtraction, multiplication, and division), and floating point number format.

The next five weeks of the semester are spent covering assembly code. I find this is important for two reasons. First the students should know how their higher level programs are translated into programs which the computer can execute. It allows the students to see all data in a computer as just a binary number, and to understand concepts such as variables and pointers to variables. Second teaching assembly shows the translation by the assembler of the student's program into machine language, and the format of machine code. Understanding how a program is presented to the hardware is important to the understanding of how the CPU executes the program.

This leaves the last 5 weeks of a semester for actually studying the data path which defines the CPU.

In this type of semester, I do not cover the digital components in this book as a single entity. Chapters 1, 2, and 3 are assigned the first week, and each subsequent chapter assigned each subsequent week. A short overview of each circuit is provided in class, but the students are largely left on their own to do the problems associated with the circuit. By the eighth week, all of the circuits have been covered and the students are ready to begin studying the data path of the CPU. The digital circuits that have been covered in this text form the basis for the components in the CPU.

A sample 15-week schedule follows. Note that the assignments from this text are the second topic in each week. The first assignment each week represent material used in covering Computer Organization using a MIPS programming text.

Week	Topic	Circuit Assignment
1	1. Review: Boolean Algebra, Binary Arithmetic	
2	1. Floating Point Numbers 2. Basic circuits	Due: Chapter 3: Exercise 1 Chapter 4: Exercises 3, 4A, 5, 6
3	1. Introduction to MIPS assembly: Hello World Program 2. Associative operators	Chapter 5: Exercises 1 & 2. Implement the circuit for one type of gate only (your choice)
4	1. MIPS operators 2. Adders	Chapter 6: Exercises 2 & 3
5	1. Non-reentrant subprograms, accessing memory	Chapter 7: Exercise 1

	2. Decoders	
6	1. Program Control Structures (branches and loops) 2. Multiplexers	Chapter 8: Exercises 1, 2, 3 & 4
7	1. Reentrant subprograms and program stack 2. Latches and flip-flops	Chapter 9: Exercise 1
8	1. Arrays 2. State machines	Chapter 10: Exercises 2, 3, &4
9	1. Multiplication and Division circuits, Parallel Adders	
10	1. MIPS data path	
11	1. Pipelining	
12	1. Pipelining (continued)	
13	1. High performance memory or concurrency	
14	1. I/O or other topics	
15	Final	

Chapter 1 Before you start

1.1 Introduction

This chapter provides an overview of the entire text, and what the reader can expect to learn. It also provides a listing of all materials needed to implement the circuits covered in this text.

1.2 Computers and magic

While most would not admit it, people believe that computers actually obey the laws of magic. Computers do such wild and miraculous things that somehow we all believe computers are not really machines at all, but there is something very strange and magical which must go on inside of a computer. Computers seem to do things which are beyond the physical laws of nature. And the growth in the capability of the devices which we use every day, which are small and simple to use yet so amazing in what they can do, reinforces this idea that computers are indeed magic.

In reality, we know computers are simply machines. The first machine ever designed that had all the functionality of a modern computer, the analytical engine, was designed by Charles Babbage in 1838. The analytical engine was to be purely mechanical and designed to run on steam. While it was never implemented, it is a perfectly workable design, and incorporates all the necessary functionality of a modern computer.

The analytical engine shows that computers can be understood in purely mechanical terms. To aid in understanding computers, this text will look at the heart of all computers, the Central Processing Unit (CPU). The first step in understanding computer is to understand a CPU.

A CPU is entirely made up of wires and logic components called gates. These gates are very, very tiny, and very, very fast, but they are just electronic circuits which perform simple operations. The only operations these gates need to provide are the Boolean AND, OR, and NOT operators, which will be explained in Chapter 4. More surprisingly, AND, OR and NOT functions are more than what is needed. All of the logic in a computer can be implemented using only one type of gate, the Not-AND, or NAND, gate. Thus a computer is simply a collection of these wires and gates, and can be completely explained as a mechanical device using only one type of computational element, the NAND gate. This really is almost as amazing as computers being made of magic, but much more useful.

To simplify the CPU, collections of AND, OR and NOT gates are organized into digital components (called Integrated Circuits, or ICs) which are used to build the CPU. These digital ICs are called multiplexors, decoders, flip-flops (registers) and Arithmetic Logic Units (ALUs). Some of these components, such as the ALU, are made up of other digital components, such as adders, subtractors, comparators, and circuits to do other types of calculations. This book will cover these digital ICs, explaining how they are used in a CPU, showing how these digital components are made using simple gates, and actually implementing the circuits on a breadboard using IC chips.

Once completing this book, the reader should have a concept of what is a CPU, a good understanding of the parts which make up a CPU, and a rudimentary concept of how a CPU works to convert 1s and 0s into the amazing devices that are so central to our world.

1.3 Reading this text

This textbook is intended for multiple audiences. Chapter 2 of this text is an overview of Boolean algebra and included largely for when the text is use in classes covering digital circuit design. Chapter 2 is not necessary to the understanding of the rest of the book, and can be safely skipped by someone using this text as a lab manual. I would recommend that a hobbyist using this book for bread board project skip Chapter 2 altogether.

Chapter 11 is an implementation of a CPU in Logisim, and shows how a CPU can be designed using only wires, gates, and the ICs that are covered in this text. The implementation is a real CPU which can be programmed, producing input and output. However even this simple CPU is too complex to implement in a Breadboard.

Chapters 3 to 10 are the chapters which implement the projects. These chapters are the important chapters for someone interested in implementing the ICs used in a CPU.

1.4 Materials Needed

This section will outline the materials you will need for the rest of the book. There are two types of materials you will need. The first will be a software program called Logisim, and the second will be physical parts needed to implement the circuits on a breadboard.

1.4.1 Logisim

Logisim is a tool which is used to describe the circuits found in this book. Logisim is free and easy to use, and can be found at <http://ozark.hendrix.edu/~burch/logisim/>. There is a download link at that site, as well as tutorials and videos which can help you get started.

All circuits in this book are implemented in Logisim, and can be found at <http://www.chuckkann.com/>

1.4.2 Hardware

The following is a complete list of hardware that is needed to implement the basic circuits in the text. It is broken down into 3 sections; chips, tools, and miscellaneous parts. For a complete list of parts with part numbers from various retailers, please go to <http://www.chuckkann.com>.

When buying the hardware, users will often have some of the needed material already on hand. Things like wire stripper, needle-nose pliers, and a small flat-blade screw driver are common items that many people will have readily available. Other items like wire or 9 volt batteries are often available from other uses. If you already own some of the parts or equipment listed below, there is no need to buy them again.

Chips

Except for the 7805 voltage regulator, all of the chips are standard 7400 series chips. For more information about 7400 series logic chips, see http://en.wikipedia.org/wiki/7400_series. A complete list of 7400 series chips can be found at http://en.wikipedia.org/wiki/List_of_7400_series_integrated_circuits.

The chips in this series represent most of the logic components and Integrated Circuits (ICs) that are needed to implement most digital logic applications. The numbering on chips is as follows:

74tttsssn

where

- 74: indicates the chip is a 7400 series chip
- ttt: the type of logic used. In this text, the following are valid:
 - blank - transistor-transistor logic (ttl)
 - HC - high speed CMOS
 - HCT - high speed CMOS, ttl compatible
- sss: The type of chip. For example:
 - 7408 is a quad 2-input AND gate chip
 - 7432 is a quad 2-input OR gate chip
- n: Indicates the packaging of the chip. Only type n is used in this text.

For most of the 7400 series chips below, ttl, HC, and HCT chips can be considered interchangeable in the circuits in this text¹. So for a 7408 quad 2-input AND gate chip, the following chips would all be valid:

7408N, 74HC08N, 74HCT08N

However the following chips could not be used:

7408D - Any chip designated D is a surface mounted chip, and will not work with the breadboard. Other types of packaging might be encountered, and should be assumed not to be compatible.

74LS08N - There are numerous technologies used to implement 7400 components. For this text, only ttl, HC, and HCT types of chips are recommended. Some type of chips (ACT, BCT, FCT, etc) would probably work, and others (LS, ALVC, etc) will definitely not work. For readers interested in a more detailed discussion of the chip technology, please refer to the Wikipedia page referenced above.

To simplify the process of obtaining the correct chips, a web site is maintained at www.chuckkann.com/books/DigitalCircuits/kits.html. It lists a number of retailers who sell these chips, and the retailers part numbers for each chip.

A complete list of follows.

7805 5V voltage regulator	1
7400 quad 2-input NAND gate	1
7402 quad 2-input NOR gate	1
7404 hex Inverter (NOT gate)	1
7408 quad 2-input AND gate	2
7414 hex Schmitt Trigger Inverter (NOT gate)	1
7432 quad 2-input OR gate	1
7474 dual D positive edge triggered flip-flop	1
7486 quad 2-input XOR gate	1

¹ The exception is the 7414 chip, which must use the ttl logic. HC and HCT chips are not substitutable.

74139 dual 2-line to 4-line decoder	1
74153 dual 4-to-1 Multiplexor	1

Important Note: In this text all chips will be referred to using their generic numbers. So while the circuits in the text will generally use a 74HCT08N chip, the text will refer to the chip as a 7408 chip.

Tools

A few tools are useful to implement the labs in this text. The wire strippers are the only required tool, but needle nose pliers are very handy when doing wiring, and a flat blade screw driver makes it much easier to pry chips from the board safely. These tools are often in toolboxes that the reader might already have. If the reader does not have one or more of these tools, they should be obtained.

wire stripper	1
needle nose pliers	1
small bladed screw driver	1

Miscellaneous

A number of miscellaneous parts are needed to implement the circuits in this text. The number of type of these parts is limited specifically to keep the cost of the kits to a minimum. For example, the labs in the text use 4 colors of wire for clarity: red, black, yellow, and green. The kits below only include black wire. The reader can obtain multiple colors of wire if they desire, but the circuits can be implemented using a single color wire.

Be careful of substitutions. For example, a 400 point solderless breadboard is cheaper than the 830 point solderless breadboard which is recommended, and a thrifty reader might be tempted to substitute the smaller board since it looks very similar. However several of the circuits in this text will not fit on the 400 point version.

Wire, black	1 25 foot spool
830 point solderless breadboard	1
9V battery snap	1
9V battery	1
toggle switches	4
red LED	3
green LED	3
1k resistor	1 package of 10
0.1 μ f capacitor	1 package of 10
0.22 μ f capacitor	1
mini push button switch (tactile button switch)	1

1.5 Some notes

There is a wiring convention used in this book which the reader should be aware of. This book uses 4 colors of wires: red, black, yellow, and green. Red wires are wires which are always expected to carry a positive voltage. Black wires are wires which are always expected to be

connected to ground. Yellow wires are used for wires running from the battery towards the output LED. Green wires are used for wires which recycle backwards towards the battery (the use of green wires will become clearer when the latch and counter circuits are implemented). The only reason these colors were chosen is to enhance the readability of the circuits for the text. The standard material for the lab kit only recommends purchasing black wire. The color of the wire is inconsequential to the working of the circuit, though using only black wire means your circuits will appear slightly different from the ones in the text, and be harder to read.

Be careful when doing the labs: The exercises in this book require the reader to strip wire and to use simple logic chips. While a young person could do the exercises in this book, it is intended for an adult audience or at least adult supervision. The parts are small, pointy and sharp, and care should be used when handling them. Clipping and stripping wires can result in small pieces of plastic and metal becoming airborne. The components used in these circuits can become very hot, especially if installed backwards. While there is nothing inherently dangerous in working with the circuits, care should be used. Safety glasses are recommended, and if any chip or part of the circuit become hot, quickly remove the power by disconnecting the battery. Do not touch any hot chips or other components, and wait for chips or other components to cool before handling them.

1.6 Conclusion

Computers are machines. They are amazing machines, but they are still simply machines. This book will start to demystify computers by defining the basic components which make up a computation machine. It will do this by allowing the reader to develop the basic components which make up a computer, both virtually in software and physically in hardware.

Chapter 2 Background Material

2.1 Introduction

This chapter introduces the necessary Boolean algebra for understanding circuits. It covers truth tables, Disjunctive Normal Form (DNF) for Boolean functions, Boolean relationships, how to use Boolean Algebra to manipulate and reduce Boolean functions, and how to use Karnaugh maps to minimize Boolean functions.

While the material in this chapter can be understood by someone with a good understanding of algebra, it can be a bit esoteric and is not needed to understand the rest of the textbook. This chapter can be safely skipped by someone using this book as a lab manual. I would suggest that this chapter be skipped by hobbyists using this textbook for bread boarding projects.

2.2 A Universal Set of Boolean Operations

When thinking about Boolean algebra, it is important to realize that Boolean values are binary, so any Boolean variable is limited to two values. Often these values will be True or False, but in reality any binary values can be used. In this textbook, the value 0 will be used for False, and 1 for True. The reason for using 0 and 1 is that it is a more natural and useful way to represent these values in an engineering context, which will hopefully become apparent to the reader as they continue their study of computer organization.

To be useful some minimum set of operations which can be used to manipulate those Boolean variables. For Boolean algebra this minimum set of operations will include just 3 operations, they are AND, OR, and NOT. The AND and OR operations are binary operations (operations that take two operands), and the NOT is a unary operation (operation that takes one operand). These operations will be defined formally using truth tables in the next section. For now they will be defined informally as follows:

- the AND operator is $f(A,B)$, where $f(A,B)$ is 1 (true) where A, B are both 1 (true) otherwise it is 0 (false).
- the OR operator is $f(A,B)$, where $f(A,B)$ is 1 (true) is A or B or both A and B are 1(true), otherwise it is 0 (false).
- the NOT operator is $f(A)$, where $f(A)$ is 1 (true) if A is 0 (false), and $f(A)$ is 0 (false) if A is 1 (true).

This leads to a question as to why these three, and only these three, operations are chosen. The answer is that these three operations are *universal Boolean operations*. In this context, universal means that any Boolean function can be reduced to combinations of these three operations. Therefore, there is never a need to define any other Boolean operations to calculate a Boolean function. Other useful Boolean operations will be introduced in this textbook, but realize that these operations can be reduced to simply AND, OR, and NOT operations². The proof of this will be left to the exercises at the end of this chapter.

² This result, and AND, OR, and NOT are Universal over Boolean functions is even more amazing when it is realized that any effectively computable function is computable using only Boolean functions. This result, that any effectively computable function is computable with just the operations AND, OR, and NOT, was personally mind blowing when I first understood it.

In this textbook, the AND operation will be written using the multiplication sign, "*", and the result call a product; the OR operation will be written using the "+" sign, and will be called a sum; the NOT operation will be shown by following the variable with a single "'" mark, e.g. A' is NOT-A. Note also that the "*" symbol can be dropped as in standard algebra, so "A*B" can also be written simply as "AB".

2.3 Truth Tables

Boolean functions are functions that perform operations on sets of Boolean variables. For example, a Boolean function f , which takes 2 input values A and B , would produce an output value, $f(A,B)$. The input values A and B are binary, as is the output value $f(A,B)$. It is possible to completely characterize the function $f(A,B)$ by enumerating all the possible input combinations and A and B (00, 01, 10, 11), and specifying the output $f(A,B)$ for each input combination.

A truth table is standard way to represent a Boolean function which enumerates all the possible outputs of that function. So assume $f(A,B)$ is the AND operator. The truth table for this operation is:

Input		Output
A	B	AND
0	0	0
0	1	0
1	0	0
1	1	1

Table 2-1: AND truth table

More than one function can be represented in a truth table. A truth table that represents two functions, AND and OR, would be the following:

Input		Output	
A	B	AND	OR
0	0	0	0
0	1	0	1
1	0	0	1
1	1	1	1

Table 2-2: AND and OR truth table

All Boolean functions can be represented using truth tables (the proof for this is left for the exercises at the end of this section), though the size could become quite large, or possibly infinite. For example, consider two Boolean functions $f_1(A,B,C)$ and $f_2(A,B,C)$. The truth table for these two functions would be written as follows:

Input			Output	
A	B	C	f1(A,B,C)	f2(A,B,C)
0	0	0	0	0
0	0	1	0	1
0	1	0	0	0
0	1	1	0	1
1	0	0	1	0
1	0	1	1	1
1	1	0	1	0
1	1	1	1	1

Table 2-3: Truth table for f1(A,B,C) and f2(A,B,C)

2.4 Disjunctive Normal Form(DNF)

Disjunctive Normal Form (DNF) is a standard way to write Boolean functions. It can be described as a sum or products, and an OR and AND³. To understand DNF, first the concept of a *minterm* will be covered.

A minterm is a row in the truth table where the output function for that term is true. For example, in Table 2-3, the function f1(A,B,C) has a minterm when A=1, B=0, and C=0. We can write this minterm as $AB'C'$ (A and not-B and not-C), since A is true, and B and C are both false. Function f1(A,B,C) also has three other minterms, $AB'C$, ABC' , and ABC . So the DNF for the function f1(A,B,C) would be written as:

$$f1(A,B,C) = AB'C' + AB'C + ABC' + ABC$$

Note that these minterms are numbers 4, 5, 6, and 7⁴ in the table so a short hand to write the DNF is the following:

$$f1(A,B,C) = \Sigma(4, 5, 6, 7)$$

Likewise f2(A,B,C) can be written as:

$$\begin{aligned} f2(A,B,C) &= A'B'C + A'BC + AB'C + ABC \\ &= \Sigma(1, 3, 5, 7) \end{aligned}$$

Note that any Boolean function can be written in DNF, and DNF requires only 3 types of operations, the AND, OR, and NOT. This is why AND, OR, and NOT are universal. The proof of this is left for the exercises at the end of the chapter.

³ Another way to represent the function is Conjunctive Normal Form (CNF). CNF can be described as a product of sums, or an AND or ORs. The use of CNF is left to the problems at the end of the chapter.

⁴ Note that the number starts at 0, not 1.

2.4.1 Boolean Relationships

The next question to be asked is if any Boolean function can be written in DNF, should DNF be used to represent all Boolean functions? The answer to this question comes from the engineering the circuit. At some point, a computer has to implement the Boolean function as a circuit. That circuit will need 1 gate for each operation. And in engineering the circuit, the goal is to minimize the number of gates needed.

Why should the number of gates be minimized? When a gate is actually included in a circuit, it has 3 bad effects:

- Every gate requires power to operate it. The more gates in the circuit means that power will be needed to operate the computer.
- Since gates require power, they produce heat as a result. More gates mean more heat from the CPU.
- There are always delays in propagating the signal across the gates. The speed of light is very fast, but it is not infinite. The further the electricity has to go to reach the end of the circuit, the longer it takes. So the more gates in the circuit, the slower the CPU. And in modern computers, the speed of light is often the limiting factor in how fast the CPU can cycle, and thus in the speed of the CPU.

Thus the goal in any circuit design is to limit the number of gates in the circuit. For the function $f_1(A,B,C)$ in Table 2.3, the number of AND gates is 8, or gates is 3, and not gates is 4, or a total of 15 gates. The question is whether or not the circuit can be implemented in less than 15 gates.

Boolean algebra is the mechanism which is used to answer this question. Boolean algebra is just like traditional algebra in that there are a set of relationships that can be applied to a function to transform it. And those operations are generally somewhat analogous to the operations in traditional algebra, making the transition to Boolean algebra somewhat easier. A list of these relationships is given in table 2.4.

Relationship	Rule No.	Relationship	Rule No.
$x + 0 = x$	1	$x * 0 = 0$	2
$x + 1 = 1$	3	$x * 1 = x$	4
$x + x = x$	5	$x * x = x$	6
$x + x' = 1$	7	$x * x' = 0$	8
$x + y = y + x$	9	$xy = yx$	10
$x + (y + z) = (x + y) + z$	11	$x(yz) = (xy)z$	12
$x(y+z) = xy + yz$	13	$x + yz = (x+y) (x+z)$	14
$(x+y)' = x'y'$	15	$(xy)' = x' + y'$	16
$(x')' = x$	17		

All of these relationships except for 15 and 16 should can be easily derived. Relationships 15 and 16 are known as DeMorgan's Laws, and should simply be memorized.

Applying these relationships for $f_1(A,B,C)$, we find the following:

$$\begin{aligned}
 f_1(A,B,C) &= AB'C' + AB'C + ABC' + ABC \\
 &= AB'(C'+C) + AB(C'+C) \text{ (rule 13)} \\
 &= AB'(1) + AB(1) \text{ (rule 7)} \\
 &= AB' + AB \text{ (rule 4)} \\
 &= A(B'+B) \text{ (rule 13)} \\
 &= A(1) \text{ (rule 7)} \\
 &= A \text{ (rule 4)}
 \end{aligned}$$

This expression is obviously simpler than the original, and the number of gates needed for this circuit has been reduced from 15 to 0. This reduction was obviously worth the effort.

But how did we know to continue to reduce this expression after " $AB' + AB$ "? This was a significant reduction in itself, from 15 to 4 gates. Since we have now shown that DNF does not necessarily (and often does not) result in a minimum expression, how can we know if a minimum expression has been reached? That is the topic of the next section of this chapter.

2.5 Karnaugh Maps (K-maps)

Karnaugh Maps (K-maps) are a mechanism for creating minimum Boolean expressions from a truth table. K-maps rely on Gray Codes to create the mapping space, so this chapter will first cover Gray Codes. The chapter will continue with how to set up a K-map, how to solve a K-map, and how to solve a K-map with *don't care* conditions.

2.5.1 Gray Codes

Gray codes are simply binary codes where the numbers adjacent numbers differ by a single digit. A single digit number only has a single digit, so it is trivial. Now consider the Gray Code for a two digit numbers. It would be:

```

00
01
11
10

```

Table 2-4: 2-digit Gray Codes

In this Gray Code, each number differs from its neighbor by 1 digit. 00->01->11->10->00 (note that the Gray code is *circular* or wraps around from the bottom to the top). A 3 digit Gray Code can be created by *reflecting* (like a mirror) the 2 digit Gray Code through a plane, and prepending a 0 to the numbers at the top of the table, and a 1 to the numbers at the bottom of the table.

```

000
001
011
010
110
111
101
100

```

Table 2-5: 3-digit Gray Codes

Once again that all values in this table differ from the adjacent values by 1 digit, but in addition the table has been group into collections of 2-bit groupings. For example, the rows 0 and 1 both contain 00x, rows 1 and 2 contain 0x1, rows 2 and 3 contain 10x, rows 3 and 4 contain x10, etc (where x is 0,1). Note that once again the table wraps, so rows 7 and 0 both contain x00.

Gray Codes are useful in partitioning a space to group like elements together, and this property will be used in the next section on K-maps.

2.5.2 2-Variable Karnaugh Maps

A Karnaugh map (or simply K-map) is a mapping of a truth table that partitions the truth table so that elements that have the same values are placed adjacent to each other. It is then easier to see what terms are in common, and to reduce the Boolean expression. For example a 2-variable K-map for a function $F(A,B)$ would be represented as follows, with the values of A in rows and the values of B in the columns.

A/B	0	1
0	$A'B'$	$A'B$
1	AB'	AB

Table 2-6: 2-Variable K-Map

In this table, the rows correspond to A and not-A, and the columns correspond to B and not-B.

A/B	0	1	
0	$A'B'$	$A'B$	A'
1	AB'	AB	A

Table 2-7: A/A' for 2-variable K-map

A/B	0	1
0	$A'B'$	$A'B$
1	AB'	AB
	B'	B

Table 2-8: B/B' for a 2-variable K-map

Since the K-map has grouped the terms together, it is easier to find a minimum Boolean equation. For example, consider the following truth table:

Input		Output
A	B	AND
0	0	1
0	1	1
1	0	1
1	1	0

Table 2-9: Truth Table for 2-variable K-map problem.

This truth table maps to the following K-map. In this K-map groups of 2^n adjacent items are found, which for a 2-variable K-map can only be groups of 4, 2 and 1. In this map there are 2 groups of 2, as shown below.

A/B	0	1
0	1	1
1	1	0

Table 2-10: Solving a 2-variable K-map

The two grouping found correspond to A' and B' , so the final equation for this K-map is $A'+B'$.

Two variable K-maps are trivial, and so not very interesting. The next two section will show how to solve the K-maps for more 3 and 4 variables.

2.5.3 3-Variable Karnaugh Maps

3-variable K-maps correspond to Boolean functions of the form $f(A, B, C)$. The K-maps again allow a truth table to be mapped so that rows that differ by 1 or 2 values are placed next to each other. To do this, the Gray Codes that were introduced earlier are used. Note how the values for variables B and C are numbered as Gray Codes in the 3-variable K-map table.

A/BC	00	01	11	10
0	$A'B'C'$	$A'B'C$	$A'BC$	$A'BC'$
1	$AB'C'$	$AB'C$	ABC	$A'BC'$

Table 2-11: 3 variable K-map

Note that once again this number has resulted in regions in the K-map where the variables differ by 1 digit, as shown below. Note that the region C' wraps around the table.

A/BC	00	01	11	10	
0	A'B'C'	A'B'C	A'BC	A'BC'	A'
1	AB'C'	AB'C	ABC	A'BC'	A

Table 2-12: A/A' region of a 3-variable K-map

A/BC	00	01	11	10
0	A'B'C'	A'B'C	A'BC	A'BC'
1	AB'C'	AB'C	ABC	A'BC'

B' B

Table 2-13: B/B' region of a 3-variable K-map

A/BC	00	01	11	10
0	A'B'C'	A'B'C	A'BC	A'BC'
1	AB'C'	AB'C	ABC	A'BC'

C' C C'

Table 2-14: C/C' region of a 3-variable K-map

To use the K-map to solve 3 variable functions, once again groupings of 2^n are found, which for a 3-variable K-map are 8, 4, 2, and 1. The larger the grouping, the fewer the terms, so groupings of 8 are chosen over groupings of 4, groupings of 4 are chosen over groupings of 2, and groupings of 2 are chosen over groupings of 1.

The following is an example of how to use a K-map to solve a Boolean expression. Consider a function $f(A,B,C)$ has the following truth table:

Input			f(A,B,C)
A	B	C	AND
0	0	0	1
0	0	1	0
0	1	0	0
0	1	1	0
1	0	0	1
1	0	1	1

1	1	0	1
1	1	1	1

This expression can be represented as the following sum of products.

$$f(A,B,C) = \Sigma(0, 4, 5, 6, 7)$$

The minimum function for this K-map consists of one group of 4 and one group of 2, and corresponds to the equation $f(A,B,C) = A+B'C'$. Note the cell $AB'C'$ is used in both equations, which is rule 5 from the Boolean relationship table, $X+X = X$, and means that any term in the summation can be used more than once in minimizing the circuit.

A/BC	00	01	11	10
0	1	0	0	0
1	1	1	1	1

To show that the final equation corresponds to the initial truth table, algebra will be used to reduce the expression from DNF to the final form.

$$\begin{aligned}
 f(A,B,C) &= \Sigma(0, 4, 5, 6, 7) \\
 &= A'B'C' + AB'C' + AB'C + ABC' + ABC \\
 &= A'B'C' + AB'C' + AB'C' + AB'C + ABC' + ABC \text{ (rule 5)} \\
 &= (A+A')B'C' + (AB' + AB)(C+C') \text{ (rule 13)} \\
 &= (1)B'C' + (AB' + AB)(1) \text{ (rule 7)} \\
 &= B'C' + AB' + AB \text{ (rule 4)} \\
 &= (B'C') + A(B'+B) \text{ (rule 13)} \\
 &= (B'C') + A(1) \text{ (rule 7)} \\
 &= (B'C') + A \text{ (rule 4)}
 \end{aligned}$$

2.5.4 4-Variable Karnaugh Maps

While K-maps larger than 4 variables exist, they require more than 2 dimensions and are thus hard to solve by hand, though there are algorithmic ways to do this and there are many programs online that can solve them. This text is only interested in presenting the concept of K-maps and how they are solved, so it will end with presenting 4-Variable K-maps.

4-Variable K-maps correspond to Boolean functions of the form $f(A, B, C, D)$. The K-maps again allow a truth table to be mapped so that rows and columns that differ by 1 or 2 values are placed next to each other. To do this, the Gray Codes that were introduced earlier are used. Note how the values for variables A,B and C,D are numbered as Gray Codes in the 3-variable K-map table.

AB/CD	00	01	11	10
00	A'B'C'D'	A'B'C'D	A'B'CD	A'B'CD'
01	A'BC'D'	A'BC'D	A'BCD	A'BCD'
11	ABC'D'	ABC'D	ABCD	ABCD'
10	AB'C'D'	AB'C'D	AB'CD	AB'CD'

Note that once again this number has resulted in regions in the K-map where the variables differ by 1 digit, as shown below. Note that the regions B' and D' wrap around the table.

<table border="1"> <thead> <tr> <th>AB/CD</th> <th>00</th> <th>01</th> <th>11</th> <th>10</th> </tr> </thead> <tbody> <tr> <td>00</td> <td>A'B'C'D'</td> <td>A'B'C'D</td> <td>A'B'CD</td> <td>A'B'CD'</td> </tr> <tr> <td>01</td> <td>A'BC'D'</td> <td>A'BC'D</td> <td>A'BCD</td> <td>A'BCD'</td> </tr> <tr> <td>11</td> <td>ABC'D'</td> <td>ABC'D</td> <td>ABCD</td> <td>ABCD'</td> </tr> <tr> <td>10</td> <td>AB'C'D'</td> <td>AB'C'D</td> <td>AB'CD</td> <td>AB'CD'</td> </tr> </tbody> </table> <p style="text-align: right;">A'</p> <p style="text-align: right;">A</p>	AB/CD	00	01	11	10	00	A'B'C'D'	A'B'C'D	A'B'CD	A'B'CD'	01	A'BC'D'	A'BC'D	A'BCD	A'BCD'	11	ABC'D'	ABC'D	ABCD	ABCD'	10	AB'C'D'	AB'C'D	AB'CD	AB'CD'	<table border="1"> <thead> <tr> <th>AB/CD</th> <th>00</th> <th>01</th> <th>11</th> <th>10</th> </tr> </thead> <tbody> <tr> <td>00</td> <td>A'B'C'D'</td> <td>A'B'C'D</td> <td>A'B'CD</td> <td>A'B'CD'</td> </tr> <tr> <td>01</td> <td>A'BC'D'</td> <td>A'BC'D</td> <td>A'BCD</td> <td>A'BCD'</td> </tr> <tr> <td>11</td> <td>ABC'D'</td> <td>ABC'D</td> <td>ABCD</td> <td>ABCD'</td> </tr> <tr> <td>10</td> <td>AB'C'D'</td> <td>AB'C'D</td> <td>AB'CD</td> <td>AB'CD'</td> </tr> </tbody> </table> <p style="text-align: right;">B'</p> <p style="text-align: right;">B</p> <p style="text-align: right;">B'</p>	AB/CD	00	01	11	10	00	A'B'C'D'	A'B'C'D	A'B'CD	A'B'CD'	01	A'BC'D'	A'BC'D	A'BCD	A'BCD'	11	ABC'D'	ABC'D	ABCD	ABCD'	10	AB'C'D'	AB'C'D	AB'CD	AB'CD'
AB/CD	00	01	11	10																																															
00	A'B'C'D'	A'B'C'D	A'B'CD	A'B'CD'																																															
01	A'BC'D'	A'BC'D	A'BCD	A'BCD'																																															
11	ABC'D'	ABC'D	ABCD	ABCD'																																															
10	AB'C'D'	AB'C'D	AB'CD	AB'CD'																																															
AB/CD	00	01	11	10																																															
00	A'B'C'D'	A'B'C'D	A'B'CD	A'B'CD'																																															
01	A'BC'D'	A'BC'D	A'BCD	A'BCD'																																															
11	ABC'D'	ABC'D	ABCD	ABCD'																																															
10	AB'C'D'	AB'C'D	AB'CD	AB'CD'																																															
<table border="1"> <thead> <tr> <th>AB/CD</th> <th>00</th> <th>01</th> <th>11</th> <th>10</th> </tr> </thead> <tbody> <tr> <td>00</td> <td>A'B'C'D'</td> <td>A'B'C'D</td> <td>A'B'CD</td> <td>A'B'CD'</td> </tr> <tr> <td>01</td> <td>A'BC'D'</td> <td>A'BC'D</td> <td>A'BCD</td> <td>A'BCD'</td> </tr> <tr> <td>11</td> <td>ABC'D'</td> <td>ABC'D</td> <td>ABCD</td> <td>ABCD'</td> </tr> <tr> <td>10</td> <td>AB'C'D'</td> <td>AB'C'D</td> <td>AB'CD</td> <td>AB'CD'</td> </tr> </tbody> </table> <p style="text-align: center;">C'</p> <p style="text-align: center;">C</p>	AB/CD	00	01	11	10	00	A'B'C'D'	A'B'C'D	A'B'CD	A'B'CD'	01	A'BC'D'	A'BC'D	A'BCD	A'BCD'	11	ABC'D'	ABC'D	ABCD	ABCD'	10	AB'C'D'	AB'C'D	AB'CD	AB'CD'	<table border="1"> <thead> <tr> <th>AB/CD</th> <th>00</th> <th>01</th> <th>11</th> <th>10</th> </tr> </thead> <tbody> <tr> <td>00</td> <td>A'B'C'D'</td> <td>A'B'C'D</td> <td>A'B'CD</td> <td>A'B'CD'</td> </tr> <tr> <td>01</td> <td>A'BC'D'</td> <td>A'BC'D</td> <td>A'BCD</td> <td>A'BCD'</td> </tr> <tr> <td>11</td> <td>ABC'D'</td> <td>ABC'D</td> <td>ABCD</td> <td>ABCD'</td> </tr> <tr> <td>10</td> <td>AB'C'D'</td> <td>AB'C'D</td> <td>AB'CD</td> <td>AB'CD'</td> </tr> </tbody> </table> <p style="text-align: center;">D'</p> <p style="text-align: center;">D</p> <p style="text-align: center;">D'</p>	AB/CD	00	01	11	10	00	A'B'C'D'	A'B'C'D	A'B'CD	A'B'CD'	01	A'BC'D'	A'BC'D	A'BCD	A'BCD'	11	ABC'D'	ABC'D	ABCD	ABCD'	10	AB'C'D'	AB'C'D	AB'CD	AB'CD'
AB/CD	00	01	11	10																																															
00	A'B'C'D'	A'B'C'D	A'B'CD	A'B'CD'																																															
01	A'BC'D'	A'BC'D	A'BCD	A'BCD'																																															
11	ABC'D'	ABC'D	ABCD	ABCD'																																															
10	AB'C'D'	AB'C'D	AB'CD	AB'CD'																																															
AB/CD	00	01	11	10																																															
00	A'B'C'D'	A'B'C'D	A'B'CD	A'B'CD'																																															
01	A'BC'D'	A'BC'D	A'BCD	A'BCD'																																															
11	ABC'D'	ABC'D	ABCD	ABCD'																																															
10	AB'C'D'	AB'C'D	AB'CD	AB'CD'																																															

To use the K-map to solve 3 variable functions, once again groupings of 2^n are found, which for a 4-Variable K-map are 16., 8, 4, 2, and 1. The larger the grouping, the fewer the terms, so groupings of 16 are chosen over groupings of 8, groupings of 8 are chosen over groupings of 4, groupings of 4 are chosen over groupings of 2, and groupings of 2 are chosen over groupings of 1.

The following is an example of how to use a K-map to solve a Boolean expression. Consider a function $f(A,B,C)$ has the following truth table:

Input				f(A,B,C)
A	B	C	D	AND
0	0	0	0	1
0	0	0	1	0
0	0	1	0	0
0	0	1	1	0

0	1	0	0	1
0	1	0	1	1
0	1	1	0	1
0	1	1	1	1
1	0	0	0	1
1	0	0	1	0
1	0	1	0	0
1	0	1	1	0
1	1	0	0	1
1	1	0	1	1
1	1	1	0	1
1	1	1	1	1

This expression can be represented as the following sum of products.

$$f(A,B,C) = \Sigma(0, 4, 5, 6, 7, 8, 12, 13, 14, 15)$$

The minimum function for this K-map consists of one group of 8 and one group of 4, and corresponds to the equation $f(A,B,C) = B + C'D'$. Note the cells $A'BC'D'$ and $ABC'D'$ are used in both equations, which is rule 5 from the Boolean relationship table, $X+X = X$, and means that any term in the summation can be used more than once in minimizing the circuit.

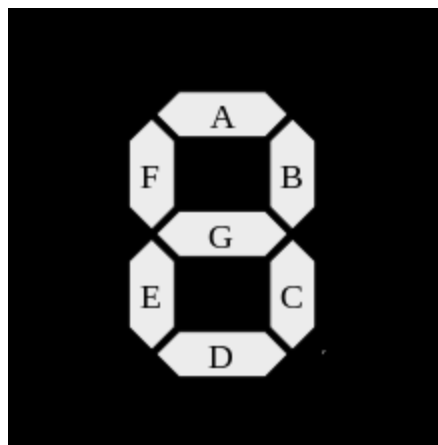
AB/CD	00	01	11	10
00	1	0	0	0
01	1	1	1	1
11	1	1	1	1
10	1	0	0	0

A/BC	00	01	11	10
0	1	0	0	0
1	1	1	1	1

To show that the final equation corresponds to the initial truth table, Boolean algebra can be used. The derivation of the final equation from the DNF is left as an exercise.

2.5.5 Don't care conditions

Sometimes when specifying an equation there are a number of situations where the input is not used. If the input is not used, then any value (0 or 1) can be used, and these are called *don't care* conditions. For example, consider a 7-segment display which is used for many time clocks for sporting events. The display consists of 7 segments that are used to display the 10 decimal numbers 0..9. A 7-segment display along with the names for each segment (A..G) is shown below.



Each digit 0-9 will light 1 or more segments to create the number. For example the digit 0 would light segments A,B,C,D,E,F; the number 1 would light segments B,C; the number 2 would light segments A,B,D,E,G; etc. Therefore, there will be 7 Boolean functions, one for each segment.

Next, knowing that 10 digits can be represented using a minimum of 4 bits, a truth table can be created where the input 4 digits represent the decimal number, and a truth table developed for each of the 7 segments making up the number. When doing this, note that input values for the truth table must always be between 0-9, so there are 6 values (10-15) that are not used, so those rows in the table are never accessed. The values for the segments for those rows are *don't cares* because they are never used; the component does not use those values, so it does not care how they are set. This gives the result for the 7-segment display truth table, where X=don't care, which is shown below.

Input				Output						
A	B	C	D	A	B	C	D	E	F	G
0	0	0	0	1	1	1	1	1	1	0
0	0	0	1	0	1	1	0	0	0	0
0	0	1	0	1	1	0	1	1	0	1

0	0	1	1		1	1	1	1	0	0	1
0	1	0	0		0	1	1	0	0	1	1
0	1	0	1		1	0	1	1	0	1	1
0	1	1	0		1	0	1	1	1	1	1
0	1	1	1		1	1	1	0	0	0	0
1	0	0	0		1	1	1	1	1	1	1
1	0	0	1		1	1	1	0	0	1	1
1	0	1	0		X	X	X	X	X	X	X
1	0	1	1		X	X	X	X	X	X	X
1	1	0	0		X	X	X	X	X	X	X
1	1	0	1		X	X	X	X	X	X	X
1	1	1	0		X	X	X	X	X	X	X
1	1	1	1		X	X	X	X	X	X	X

The K-map for each segment now can be evaluated to give the corresponding minimum Boolean expression. The don't cares (Xs) in the map are important because we can assume they are 1 when they help us minimize an expression, and assume they are 0 otherwise. In short, we can use them to create larger groupings, but they do not have to be used.

The K-map for segment A is the following:

AB/CD	00	01	11	10
00	1	0	1	1
01	0	1	1	1
11	X	X	X	X
10	1	1	X	X

The result is two groups of 8 (in red and purple) corresponding to A and B, and two groups of 4, one (in black) corresponding to BD, and one (in yellow, crossing the 4 corners of the map) corresponding to B'C', resulting in the following equation for segment A,

$$f_A(A,B,C,D) = A + C + BD + B'D'$$

2.6 Conclusion

Boolean algebra, or functions where the values are binary or two digit values, is the basis for the circuits that will be presented in this text. Boolean functions can always be represented in a truth table, and then translated directly into DNF. Thus any Boolean function can be written using only AND, OR, and NOT operations.

To instantiate these functions into hardware for a computer, circuits will be used. For a number of reasons, including making the circuit faster and decreasing the amount of electricity used and the amount of heat generated, it is of interest to designers to make the circuits as small as possible, and to make the circuits contain the fewest gates possible. DNF seldom represents the smallest possible circuit, and Boolean algebra is introduced as a way to simplify a circuit.

It is difficult to know if a circuit has been reduced to a minimum using just DNF, so the concept of a K-map was introduced which is a mechanical way to ensure minimum circuits.

2.7 Exercises

1. DeMorgan's Law:
 - a. Show that DeMorgan's Law is correct for two variables, $(A'B')' = A+B$ by using a truth table.
 - b. Does DeMorgan's Law hold for 3 variables? What about 4 variables?
2. Simplify the following Boolean expressions using Boolean algebra
 - a. $A + AB$
 - b. $A + A'B$
 - c. $AB'C' + ABC'$
 - d. $AC + AC' + A'B + A'B'$
3. The operations AND, OR, and NOT are universal in that any Boolean function can be implemented using just these three gates.
 - a. Prove by construction that the NAND gate is universal by creating AND, OR, and NOT gates using only the NAND gate.
 - b. Prove by construction that the NOR gate is also universal.
 - c. Why are the AND and OR gate not universal? (e.g. what simple operation cannot be created with just an AND or OR gate?)
4. For inputs A and B, show how to use an XOR gate to create a NOT gate if B is 1, and a buffer if B is 0.
5. XOR is sometimes called an "odd" function because the result of an XOR is 1 if the number of 1's the minterm is odd, the xor is 1, otherwise it is 0. Show that this is true for 3 and 4 variable XOR functions, e.g. $A \oplus B \oplus C$, and $A \oplus B \oplus C \oplus D$.

6. For the following truth table:

- a. Give the DNF equation for the table.
- b. Minimize the equation using a K-map.
- c. Show that the DNF is equivalent to the minimum representation using Boolean algebra.

A	B	C	F(A,B,C)
0	0	0	0
0	0	1	1
0	1	0	1
0	1	1	0
1	0	0	0
1	0	1	1
1	1	0	1
1	1	1	0

7. For the following truth table

- a. Give the DNF equation for the table.
- b. Minimize the equation using a K-map.
- c. Show that the DNF is equivalent to the minimum representation using Boolean algebra.

A	B	C	F(A,B,C)
0	0	0	1
0	0	1	1
0	1	0	1
0	1	1	1
1	0	0	0
1	0	1	1
1	1	0	0
1	1	1	1

8. For the following truth table

- a. Give the DNF equation for the table.
- b. Minimize the equation using a K-map.

- c. Show that the DNF is equivalent to the minimum representation using Boolean algebra.

A	B	C	F(A,B,C)
0	0	0	1
0	0	1	0
0	1	0	0
0	1	1	1
1	0	0	1
1	0	1	0
1	1	0	0
1	1	1	1

9. Solve the 7-segment display problem for segments b, d, and f.

Chapter 3 Getting started

3.1 Introduction

There is an old adage, “A journey of 1000 miles begins with the first step”. The hardest part of any project is getting started. I had taught Computer Organization for years but had always used *virtual circuits* to describe the components presented in this text. That meant using pictures, drawings, and eventually tools such as Logisim. Though I knew the circuits in this book, I was afraid to actually touch the hardware. From my conversations with others, this is not an uncommon feeling even among computer scientists. Like so many people in so much of life, I was afraid of the beginning.

The beginning, when all the fears about the project are apparent. Do I really know enough to do the project? Will it take a lot longer than I think? What happens if I hit a problem that I cannot solve? Too often these fears take over, and useful projects just fail to get started. But once the project is started, the unknowns become known and can be dealt with. The complexity becomes manageable. Incremental progress can be achieved, and each success builds on the last. The trick is to start very simple, and to allow the complexity to evolve. This is the approach of this text.

This text starts as simply as possible. To begin studying circuits, the first step is to understand that digital circuits take electricity into the circuit, and convert it to an output. In our case, the input will always be a switch, and output will always a LED light. So the first project is a circuit which has a switch which turns on a light.

3.2 Logisim circuit to turn on a light

In this text, all circuits are first created in Logisim to allow the reader to see the logic implemented by the circuit. This is important for a number of reasons. First, it is much easier to build the circuit in Logisim. No wires need to be cut and stripped, and there are no physical problems like loose connections or other problems to debug. The circuit is virtual and it always behaves as it is coded.

Second, Logisim will represent the circuit as a series of logic gates, which closely represent the Boolean expressions used to create the circuit. When the circuit is implemented using the breadboard and chips, and all the chips look the same so visualizing the circuit is difficult. Logisim makes it easier to understand the circuit, and then to translate it into hardware.

Third, implementing the circuit requires as much concentration on the pin configurations on the chips as the actual gates that are used to implement the logic. Using Logisim allows the reader to understand the logic of the circuit without worrying about extraneous implementation details.

Fourth circuits in Logisim are easier to modify, so problems in implementing the circuit can be more quickly addressed and fixed. Different types of designs for the circuits, inputs to the circuits, etc., can be tried in a much more forgiving environment.

Finally, the circuits which are implemented are more easily saved and shared using Logisim. Most of the circuits in this book will have a Logisim implementation which can be downloaded from <http://chuckkann.com/>

For the first circuit, a Logisim implementation is shown below. The first circuit implemented

turns a light on/off. The following list is a step-by-step guide to creating this circuit in Logisim. If you are new to Logisim, you might want to start with the tutorials found at the Logisim site.

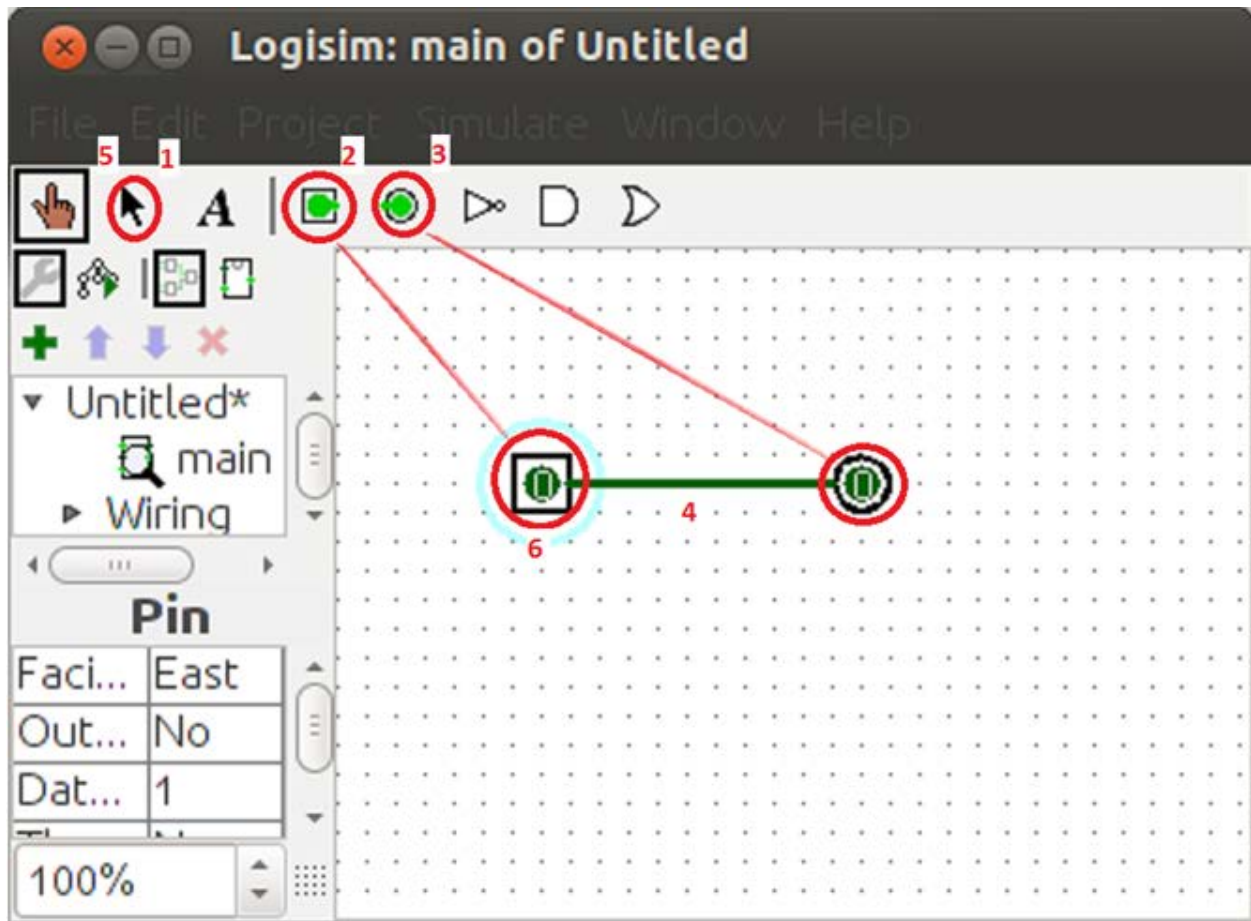


Figure 3-1: Logisim circuit to turn on light.

1. Make sure the arrow icon is selected.
2. Select the input pin and place it on the board.
3. Select an output pin, and place it on the board,
4. Connect the right side of the input pin to the left side of the output pin by holding the right mouse button and drawing a line from the input pin to the output pin.
5. The circuit is now complete. Select the hand icon to run the circuit.
6. Clicking on the input pin changes its value from 0 to 1 and back. Since it is directly connected to the output pin, you will also change the output pin.

This circuit will now be implemented in using a breadboard, resistor, 9-volt battery, switch, and led light.

3.3 Implementing the switch circuit to turn on a light

In this project you will connect the breadboard to the power supply, then wire the positive and negative side strips. You will then put a switch on the board, and connect the switch to a led so

that the switch can turn the led on and off. This will complete the project.

3.3.1 The breadboard

This section describes the breadboard in your lab kits. For more information about breadboards please see the following link:

<http://en.wikipedia.org/wiki/Breadboard>

The following is a picture of a typical breadboard:

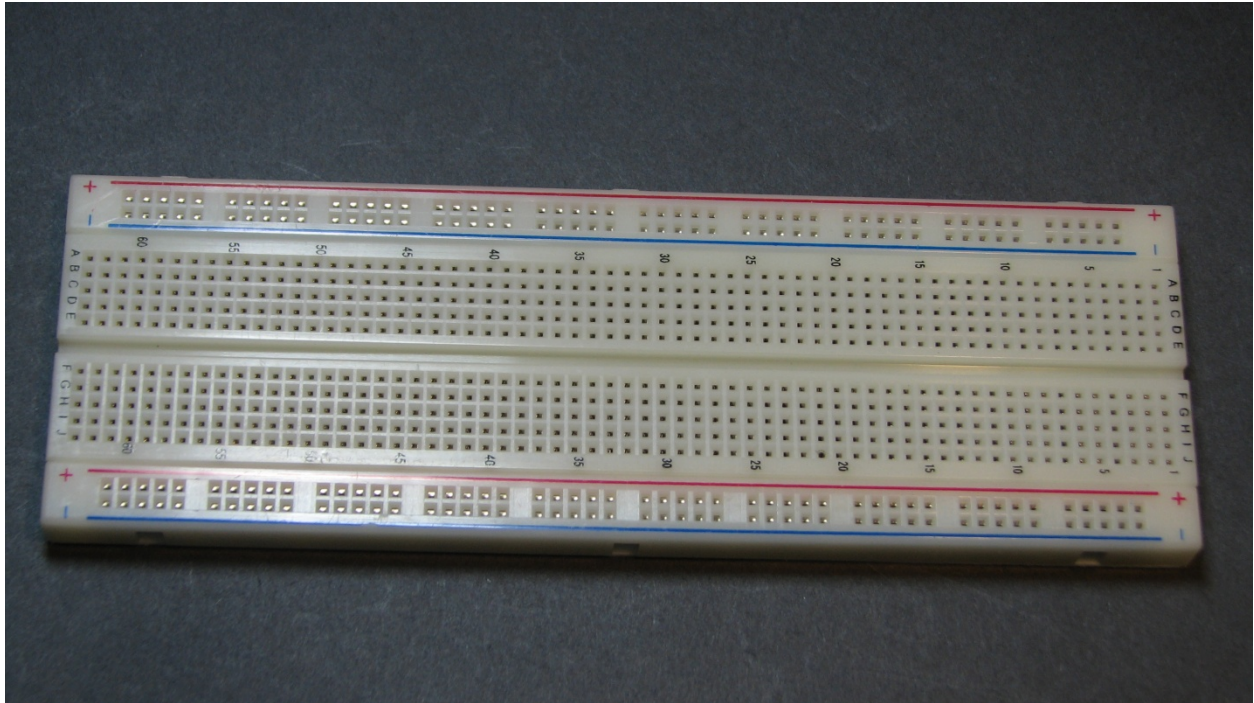


Figure 3-2: Typical breadboard

On the breadboard there are two long strips, called rails, running along the side. The red rail is normally connected to a positive (+5 volts) power supply, and the blue rail is normally connected to ground (0 volts). Note that rails must be connected to a battery or other power source to power them.

There are a number of 10 hole rows in the board, separated by a center empty column. In a row, groups of 5 holes on each side of the empty column are connected. There is no connection between the rows.

This wiring of the breadboard is shown in the Figure 3-3. For the positive and ground rails a wire runs the length of the board which connects the holes in the positive and negative rails. Note that the rails on opposite sides of the breadboard are not connected. Powering one side of the rails does not power both sides, and the rails must be connected to fully power the board. This will be done as part of the circuit created in this chapter.

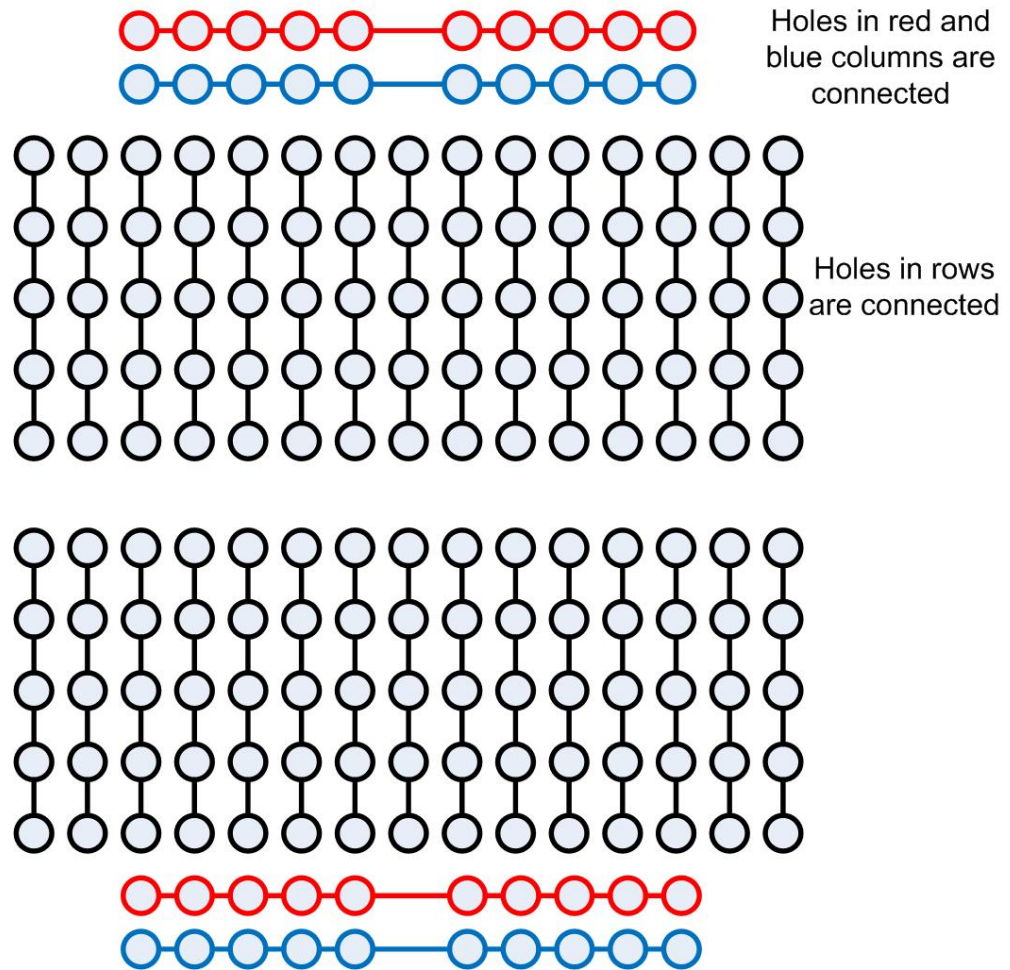


Figure 3-3: Breadboard layout

This breadboard layout also shows that the groups of 5 holes in each row are also connected, though the top and bottom groups of 5 holes are not. Normally the holes in these groups of 5 on the two sides of the board will be kept separate. This will make sense when chips are installed and used.

The groups of five holes are numbered 1 to 60 on each side of the breadboard. Each group of five holes are wired together, so two wires which are placed in holes in the same group on a row are connected. This will be used to wire the circuits.

3.3.2 Stripping wires

To make contact with the holes in the breadboard, the insulation must be removed from the ends of the wires. To do this wire strippers will be used. Typical wire strippers are shown in the following figure. Wire strippers are sharp and can easily cut the wire we are using here by placing the wire in the lower part of the clippers (1), and closing them. However, the notches in the wire strippers are places where there is a predetermined distance between the two blades which is just the size of the copper wire inside of our insulation. By placing the wire in the notch labeled 22 AWG (or .60 mm) (2), the insulation is cut but the wire is not. Then by simply pulling the wire from the strippers there is a clean end to the wire that no longer is insulated. This is

what will be placed in the holes in the breadboard. When stripping the wires, you should strip off about 1/4 to 1/2 an inch of insulation. The holes in the breadboard will *grab* the wires when they are placed inside and make a good contact. If you strip too little insulation off of the wire the connection to the breadboard will probably be poor, and your circuits will not work. If you strip too much insulation off, the circuit will have the possibility of short circuiting. So strip enough insulation so that the wires are grabbed in the hole, but not too much more.

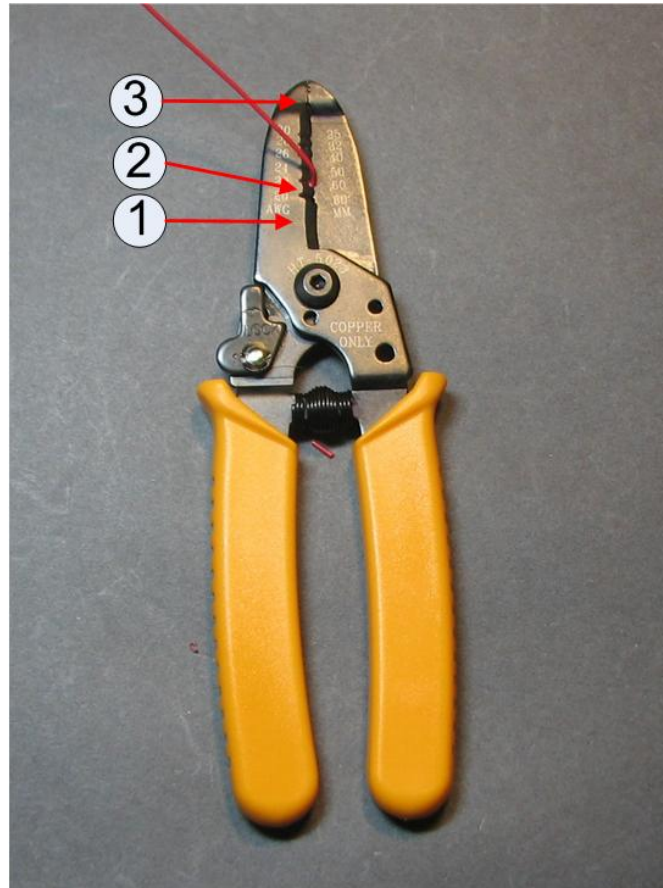


Figure 3-4: Wire strippers

The end of the wire strippers (3) can be used as pliers, and is helpful to bend the end of the wire. This is useful if you implement the circuits so that the wires run flush along the board, as they will do in this book. If you cut your wires very long and run them above the board, as many students do, you do not want to bend the end of the wire. Running wires flush along the board makes the circuit neater and easier to read, but it makes the circuit harder to wire, and takes much more time to implement.

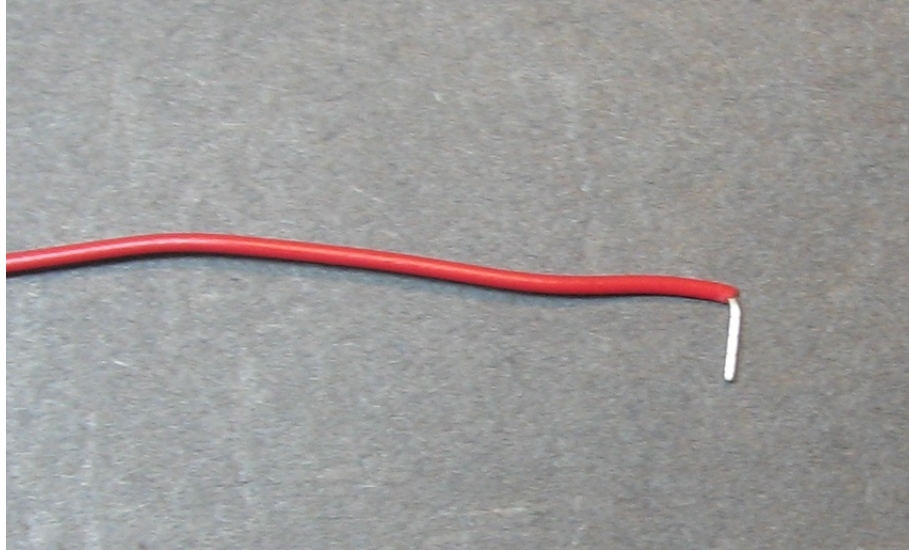


Figure 3-5: A stripped wire

3.3.3 Powering the Circuit

You are now ready to implement the circuit. The steps in creating the circuit will be as follows.

1. Power will be provided to the breadboard.
2. A switch will be inserted into the breadboard.
3. The output from the switch will be sent to the LED, which will complete the circuit.

The first step is to provide power to the breadboard. Pictures of how to power the breadboard are shown in the Figure 3-7 and Figure 3-9. These figures contain numbers corresponding to the step-by-step instructions below. As was mentioned earlier, wires in this circuit that always carry a positive voltage are *red*, ground wires are *black*, and wires that can take on either value are *yellow*.

- 1) Find the 7805 voltage regulator (shown in Figure 3.6). The 7805 voltage regulator will take the input of 9 volts from the battery and convert it to 5 volts needed by the chips which will be used in the circuit⁵. Place the 7805 voltage regulator so that it straddles rows 1, 2, and 3 on the breadboard as shown in Figure 3-7. The fit may be tight, so be careful to push it in gently so as to not bend the legs.
- 2) The input to pin 1 (the pin in row 1 of the breadboard) of the 7805 is the positive 9 volts from the battery. In the figure a red wire is used to indicate this is wire is always connected to positive input. Connect a wire to any hole on the first row, leaving one end not connected to anything. This will be connected to the positive lead of the battery when the breadboard is powered. To test if this is correct, connect the long leg of an led to the positive output of the 7805 regulator, and the short end to the ground, as shown in Figure 3-6. Make sure the battery is new and strong, or you might now get power across the 7805 regulator.

⁵ Chips used in circuits generally use either 5 volts or 3.3 volts. The chips used in this book will all work with 5 volts, so the circuits will be powered at 5 volts.

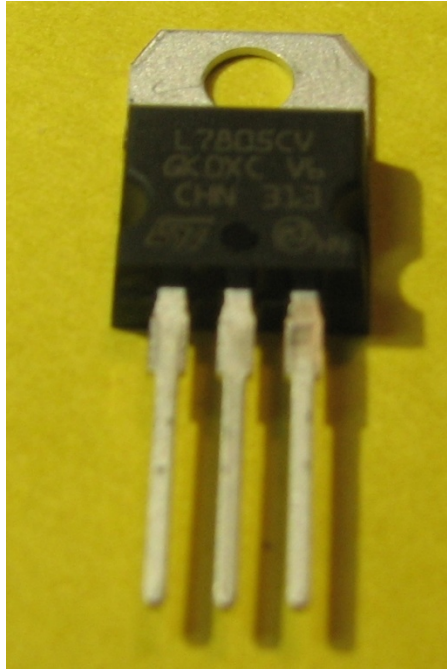


Figure 3-6: 7805 voltage regulator

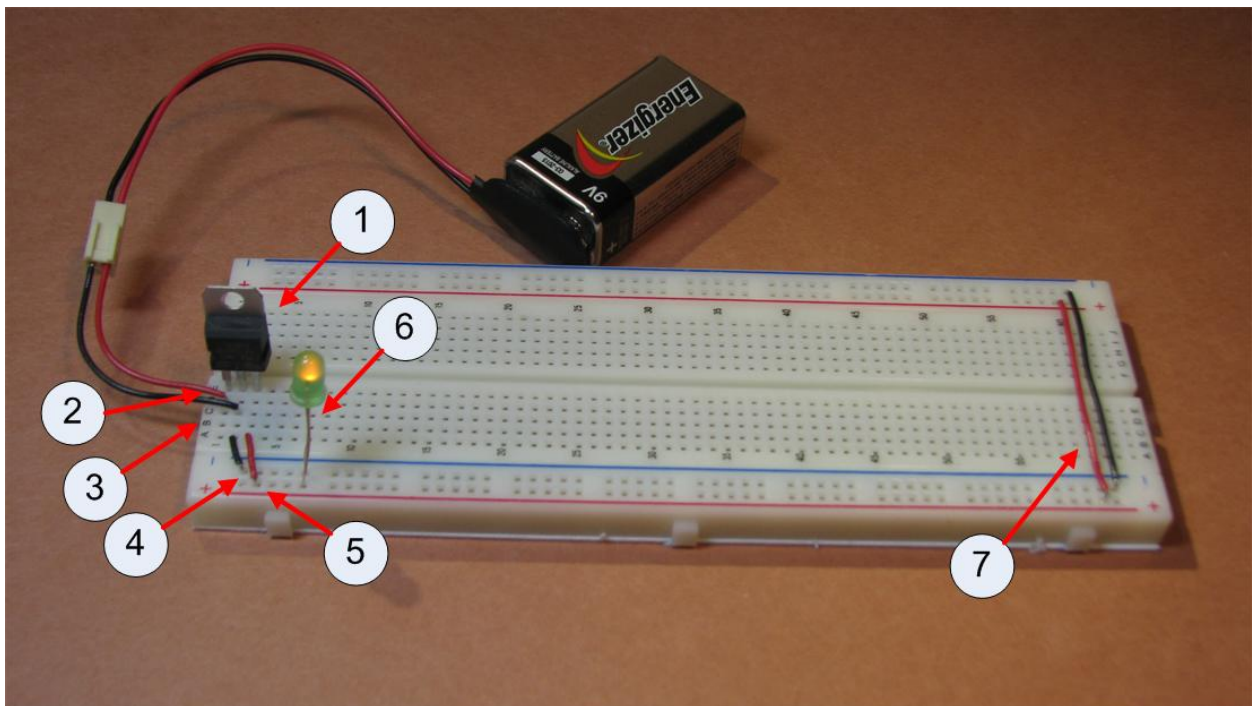


Figure 3-7: Powering the breadboard

- 3) The input to the 7805 pin 2 (the pin in row 2 of the breadboard) is now connected to the ground coming from the 9 volt battery. In the figure a black wire is used to indicate this is wire is always connected to ground. Connect a wire to any hole on the second row, leaving

one end not connected to anything. This will be connected to the negative lead of the battery when the breadboard is powered

- 4) Connect the ground rail of the breadboard to row 2. The ground rail is the blue column which runs down the side of the board. Note that row 2 has three connections, the input ground from the battery, the middle pin on the 7805 chip, and the output wire to the blue ground side rail.
- 5) The 5 volt output from the 7805 is the pin in row 3. To power the board, connect row 3 to the positive rail of the breadboard. The positive rail is the red column which runs down the side of the board.
- 6) The left half of the board is ready to be connected to the battery. Put a 9 volt battery in the battery snap, and connect the leads from the battery to red and black wires from steps 3 and 4. (Be sure to connect positive wire to positive input, and negative wire to negative input!) The board should now have power. This can be checked by placing an LED between the positive and negative rails on the board. Note that the LED has two legs, and one is longer than the other, as shown in Figure 3-8. Make sure to place the positive (long) leg in the positive (red) rail, and the short leg in the ground (blue) rail. The light should come on. If it does not, you have a debugging problem. Here are some things to try:
 - a) Make sure that the battery is connected correctly, positive to positive and negative to negative. If it is not, your 7805 chip will quickly start to become hot. If this happens, disconnect the battery and allow the chip to cool. When the chip is cool, reconnect the battery correctly.
 - b) Make sure the LED is properly oriented. This simple mistake often causes confusion, and so when using an LED always make sure to orient it correctly.
 - c) Make sure the battery and the snap are ok by putting the LED directly into the 9 volt battery clip. If the LED lights, move to step d.
 - d) Make sure that current is getting to the board correctly. Connect the battery to your positive and negative leads (to power the board) and place the LED between rows 1 and 2 of the board to make sure that you have a good connection with the leads. If the LED lights, move to step e.
 - e) Make sure you have current coming from the 7805 by connecting the LED between rows 3 and 2. If the LED does not light, something is wrong with the 7805. Check that you have installed it correctly (not backwards for instance).



Figure 3-8: LED

- 7) The left half of the bread board should now have powered, but the right half is still not connected. To connect the right half of the breadboard, go to the last row with the blue and red rails. Run a wire from the left red rail (the outside left rail) to the right red rail (the inside right rail) as shown in Figure 3.7. Do the same for the blue rail. This should power the rails on the right side of the breadboard. You can test that both rails are now powered by using the LED between the blue and red rails on the right side of the breadboard as in step 6 above.

The breadboard is now powered.

3.3.4 Installing the switch

This purpose of this first circuit was to have a switch turn on/off a light. This section will describe how to install the switch. The instructions below refer to Figure 3-11.

0. The switch to be installed is shown in Figure 3-10. There are two nuts and two washers on the switch. These will not be used in the circuits in this book, and make the switch harder to use. Remove them. You may want to save them in case you ever use this switch in a different circuit.
1. To install the switch, insert it across 5 rows of the breadboard. In this picture, the switch is placed across rows 9-13. Only the 1st (row 9), 3rd (row 11), and 5th (row 13) rows will be connected to the switch.

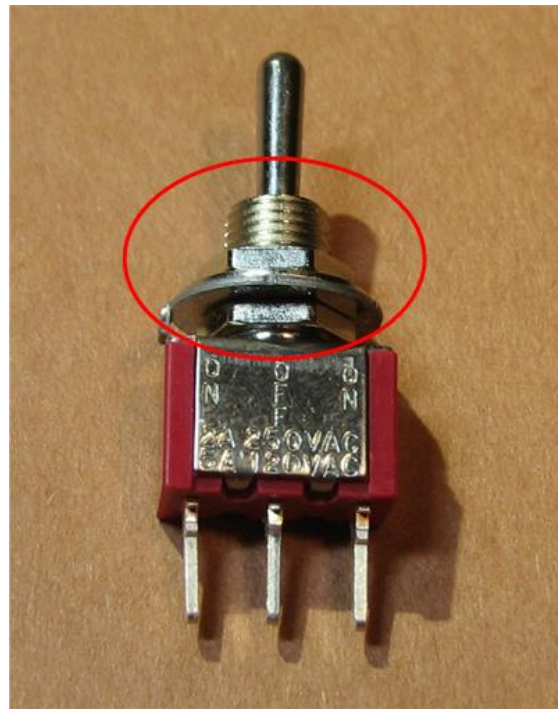


Figure 3-9: Toggle switch

2. The first pin is the positive input. Connect the first pin (row 9) in the switch to the positive rail.

3. The third pin is the negative input. Connect the third pin (row 13) in the switch to the negative rail.
4. The second, or middle, pin is the output. Connect the second or middle pin (row 11) to the final output LED by running a wire from the output (4a) of the switch to the LED (4b) at the bottom of the board.

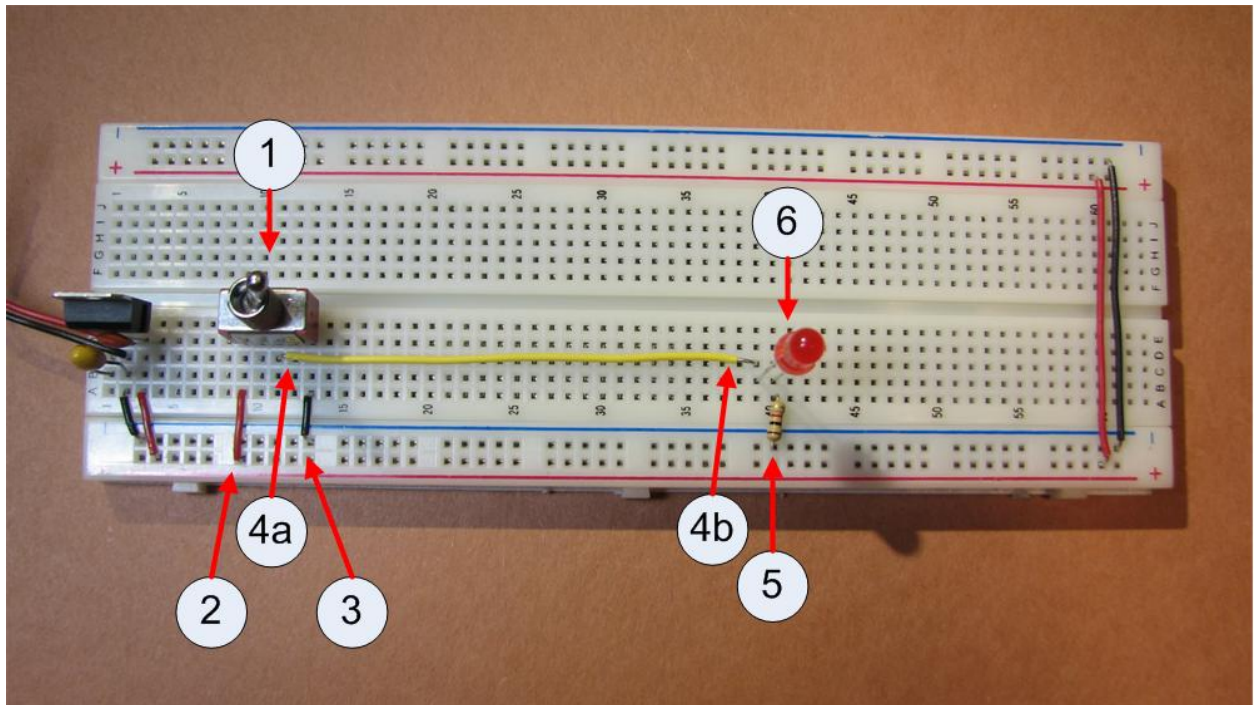


Figure 3-10: Completed circuit

This type of switch always produces the output from the pin opposite the direction of the switch. When the switch is pointing towards the first (positive) input the output of the switch is negative, and when the switch is pointing towards the third (negative) pin the output is positive. There is also a middle position of the switch. The middle position always is an unknown state, so it could go to either positive or negative. Never check a circuit with the switch in the middle position.

The switch is now installed. Again the switch can be tested to see if it is installed correctly connecting the switch output (pin 12) to the negative rail using the LED. If the switch is installed correctly, the switch should turn the LED on and off.

3.3.5 Completing the Circuit

The circuit can now be completed. The steps below refer to Figure 3.11.

5. Place a resistor on the row after where you ran the wire in 4b. The resistor is used to lower the current in the circuit so that the LED does not glow as bright, and will not burn out as fast.
6. Place a LED on the board between the row for 4b and the resistor. Remember an LED is

directional, so you have to orient it correctly. The longer leg should always connect to the positive voltage (4b), and the shorter one to the ground (5). Orient the LED so that the longer leg is closer to the switch (positive), and have the LED cross two rows.

The circuit should be complete. If it is done correctly the switch should turn the LED on and off. Give yourself a pat on the back, you have completed the first circuit.

3.4 Debugging the circuit

Sometimes, despite our best efforts, things simply do not work. If your circuit does not work at this point, it will have to be corrected, or debugged. The easiest way to debug this circuit is using an LED. At each step in the implementation, the voltage (positive and negative) for some points on the board will be known. For example, once the power has been supplied to the breadboard, the red rail is positive and the blue rail is negative. Placing a LED (correctly oriented) between these two should light that LED, as in Figure 3-12. If the LED does not light, move backwards through the components in the board until you reach a point where the LED does light as you expect. Alternatively, you can start with the battery snap, and move forward in the circuit until you find a point where the LED fails. In this fashion you can determine to what point the circuit works. The step between where the circuit is working and the circuit is not working is in error, and needs to be debugged.

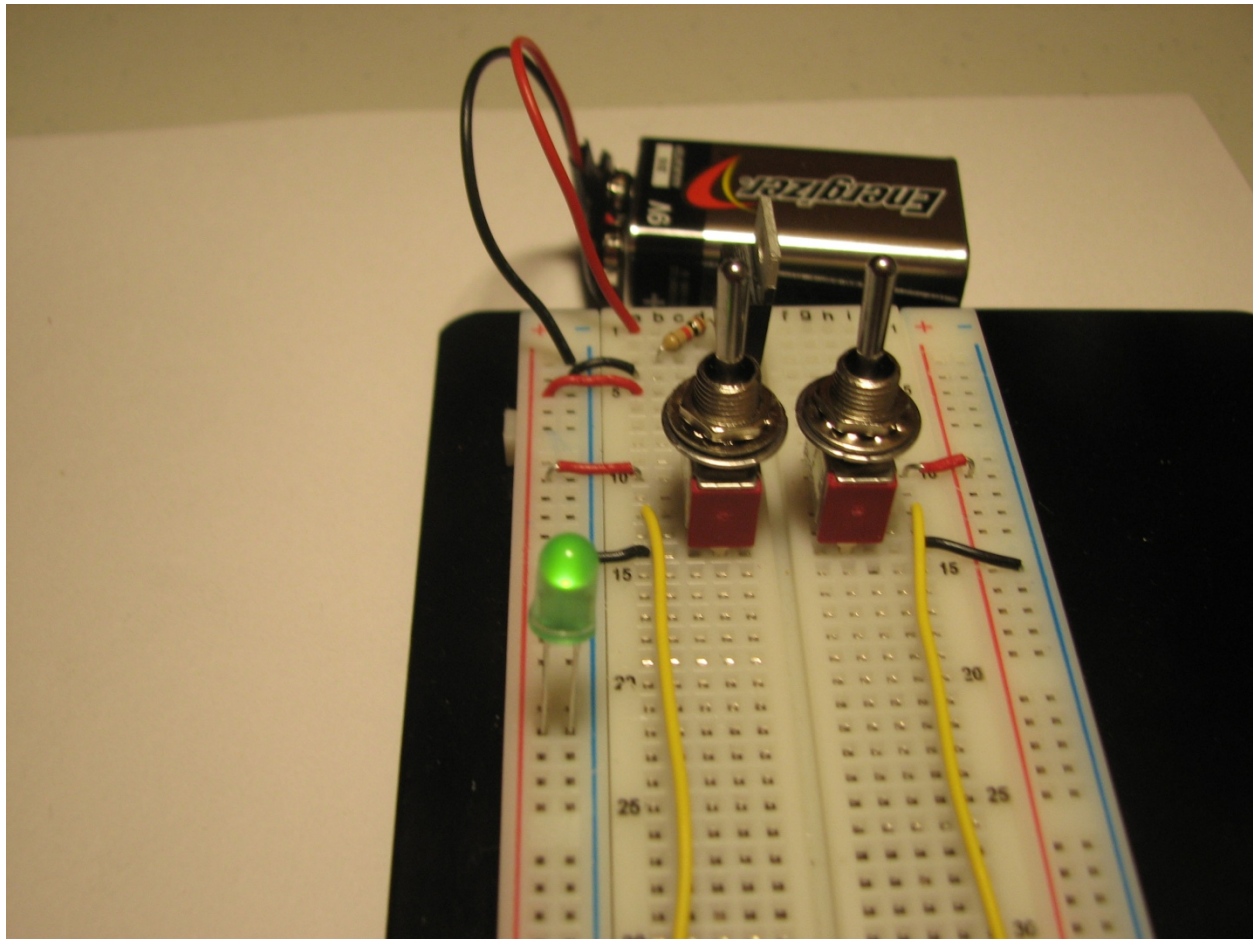


Figure 3-11: Debugging the circuit

Here is a tip I have learned from 30 years of debugging. The simplest rule for debugging a circuit, program, or life is to allow what you are fixing to tell you what is actually true, not what you believe should be (or even must be) true. Do not try to reason about what should be happening. See what is actually happening, and then try to explain the observed results. Just verbalizing the problem can help⁶. When you get too upset, take a walk and get your mind off of the problem.

But the key is to not assume you know what must be happening. Allowing the situation to tell you the truth about what is happening is always more fruitful than trying to find faults in your logic, especially if you believe that your (what turns out to be errant) logic has to be correct.

3.5 Exercises

1. Implement the circuit in Figure 3-11.
2. Modify the circuit in Figure 3-11 by adding a second input switch and LED to the right side of the breadboard.
3. Identify the following parts of the circuit, and give a short reason why they are used:
 - a. capacitor
 - b. resistor
 - c. LED
4. What are the 3 positions of the toggle switch? Which one cannot be used?
5. Explain the configuration of a breadboard. What holes are connected? How is it powered?
6. What components in the circuits implemented in this chapter are directional? How can you determine if you have placed the component correctly?

⁶I like to tell the problem to a dog. Unlike a person, he will listen intently and not interrupt. And he appreciates the attention.

Chapter 4 Gates

4.1 Introduction

This chapter will present a simple explanation of Boolean (or binary) logic. The simple Boolean operations NOT, AND, and OR will be explained, and how they are implemented in a circuit diagram and in an IC chip will be explained.

4.2 Boolean logic and binary values

Now that we have a basic circuit to light an LED, we can start to implement Boolean logic in our circuits. Boolean logic represents all data by two values, which is why it is sometimes called binary logic. Often these two binary values are represented by the value true (t) or false (f). However this is just one way to represent these values, and while it is the one mathematicians use, it is often not convenient. For example, when we are talking about circuits we often want to say if the switch is on (t) or off (f). We will know if the switch is on because it produces a high voltage (t) or a low voltage (f). Finally, these circuits can be used to represent binary numbers, and in this case the values 1 (t) and 0 (f) are greatly preferred. Depending on the context, each of these representation of binary values will be used at different times in this text. However, realize that they are just different ways to represent the same information, and it is just convenience that will dictate which is used.

4.3 Unary operations

Boolean logic consists of a set of values (t and f) and the operations which can be performed on the binary values. In this book, the three most important Boolean operations are AND, OR, and NOT.

The operation of a Boolean operator is usually shown (or characterized) using truth-tables. A truth-table is a table which gives the input value for the operation, and the output values for that operation. For example, there are only two unary operations. Unary operations are operations which take only one input, the NULL operator and the NOT operator. An easy way to characterize these functions is in a table where the input values of 0 and 1 are input, and the output values from the function are given as 0 and 1.

A truth table is normally shown with the input values for a function on the left, and the name of the function at the top of the column. The following truth table characterizes the NULL and NOT operations. It shows what the outputs of the NULL and NOT operator are for an input value of A.

Input	Output	
A	NULL	NOT
0	0	1
1	1	0

As this table shows, if the input value A is 0, the NULL gate will produce an output value of 0,

and the NOT operator will produce a value of 1 (the inverse). If the input value of A is 1, the NULL operator will produce a value of 1, and the NOT operator will produce an output value of 0. The NOT operator in this text will be written as a quote ('), so NOT-A will be A'.

Gates are the physical implementation of Boolean operators in a circuit. Since the NOT operator always *inverts* the input value, the NOT gate is often referred to as an *inverter*, and is represented by the triangle with a circle symbol in Figure 9 below. The NULL gate is usually either absent, or implemented as a *buffer*. The symbol for the buffer is represented by the triangle symbol in Figure 4-1 below.



Figure 4-1: Buffer and inverter gates

Figure 4-2 shows a circuit with the buffer and inverter in Logisim.

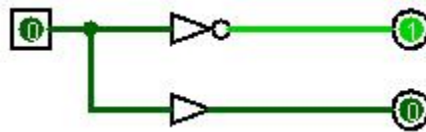


Figure 4-2: Buffer and inverter circuit in Logisim

4.4 Binary Operations

The other two important Boolean operators, AND and OR, are binary operators because they take two inputs. The AND operator is true (1) if both of its inputs are true (1) (e.g. A and B are both true); if either of its inputs are false (0) then the operator is false(0).

The OR operator is true (1) if either or both of its inputs are true (1) (e.g. either A and B is true, or both are true); it is false (0) if both of its inputs are false (0). The following truth table characterizes the output for the AND and OR functions behaves for the two inputs A and B.

Input		Output		
A	B	AND	OR	XOR
0	0	0	0	0
0	1	0	1	1
1	0	0	1	1
1	1	1	1	0

Figure 4-3 Truth table for AND and OR

In this text, the AND operator will be shown by the * symbol (A*B) , and the OR operator by the + symbol (A+B) . The * is often dropped, as in algebra (e.g. A*B will be written AB).

Unless it makes sense to do otherwise, this text will include the * include the operator in expressions.

One last Boolean function which is important for many of the circuits in this text is the exclusive-or (XOR). An XOR function is important in that it can often reduce the size of many circuits. The symbol for the XOR is \oplus , so $A \oplus B$ means A XOR B. The XOR is often called an odd function, in that it is true (1) when there is an odd number of inputs to the function which are 1, and false when there is an even number of inputs to the function which are 1.

Symbols for the AND, OR, and XOR gates are shown in Figure 4-5.

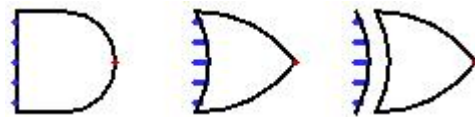


Figure 4-4: AND, OR, and XOR gates

A circuit implementing the AND, OR, and XOR gates in Logisim is shown in Figure 4-5.

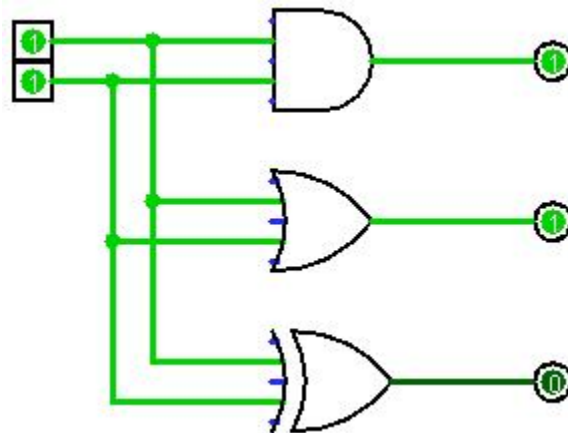


Figure 4-5: AND, OR, and XOR gate circuit

4.5 Implementing the AND gate circuit

This section will cover how to implement the AND gate circuit. This circuit will add a new component to the circuit, a 7408 (AND) chip to implement the AND gate. A brief overview of the 7408 chip will be given here.

4.5.1 ICs and the 7408 chip

Figures 4-5 and 4-6 are pictures of 7408 chips. There are a large number of manufactures of chips, and realtors will usually sell chips from several different manufactures. While the chips themselves are standard in their implementation and packaging, details such as the labeling are not. All chips are labeled on the top of the chip, though the labeling is not consistent. Some labels are easy to read, but often the labels require the user to move the chip around under a bright light to see the labeling. Other types of manufacturer specific information will be on the

chip, and this will vary from manufacturer to manufacturer. But somewhere on the chip will be a designation of the chip type. This designation will follow the format of 74tttsss, as explained in section 1.2

Every chip some number of sharp legs, called pins, which are designed to be inserted into the breadboard. Each pin has a specific use. For the 7408 chip these pins will be explained in the next section. Be careful when inserting and removing these chips, as these pins are delicate and easily bend and break.



Figure 4-6: 7408 chip, circle indicates top of chip.



Figure 4-7: 7408 chip, notch indicates top of chip.

4.5.2 The datasheet

Every IC chip comes with a datasheet which explains the setup of the chip. The datasheet contains a lot of useful information to engineers looking to use these chips, much of it beyond the scope of this text. One diagram that is always available in the datasheet is the pin configuration, and example for the 7408 chip shown in Figure 4-7 below.

The pin configuration diagram contains several items. The first is the orientation of the chip. At the top of every chip is a circle or notch, shown in Figures 4-6 and 4-7 respectively. It is important to carefully note the top of the chip, as inserting the chip upside down is a common mistake. When this happens, generally the VCC and GND wires are reversed, and the chip

becomes hot very quickly. It is always a good idea to check the powering of the chip when it is placed on the board to make sure it is not getting hot.

Next the pin configuration diagram shows the input and output values for the pins on the chip. As shown in Figure 4-8, there are 4 AND gates on this chip. Pins 1 and 2 are inputs to an AND gate which has output on pin 3. Likewise pins 4 and 5 connect to pin 6, etc.

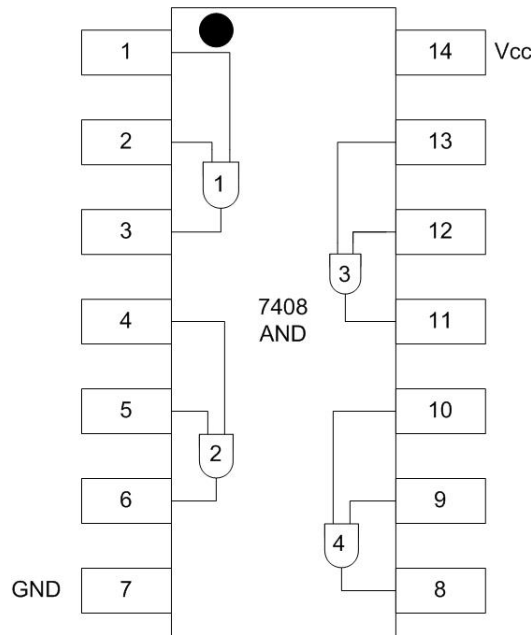


Figure 4-8: 7408 pin configuration diagram

There are two pins which are not connected to any gates, labeled VCC and GND. All chips must be powered to work. The VCC and GND are known as the *power supply pins*. These are the pins which are connected to the positive and negative rails to provide power to the circuit. As can be seen in Figure 4-9 the VCC (pin 14) is connected to the positive (red) rail using a red wire, and GND (pin 7) is connected to the ground (blue) rail using a black wire.

We are now ready to implement the circuit to implement a single AND gate to turn on a LED.

4.5.3 Creating the AND circuit

This section covers how to implement a circuit using an AND chip. The steps correspond to the picture in Figure 4-7.

1. Insert a second switch on the right hand side of the breadboard, and wire it just like the switch installed in Chapter 3. The right hand side of the breadboard should have been powered as part of the original circuit in Chapter 3.
2. Carefully insert the 7408 (AND gate) chip onto the breadboard, being careful not to bend the pins on the chip. The chip is placed so that it crosses the middle of the board. Make sure that the circle or notch is at the top of the circuit, as in Figure 4-9.
3. Provide power to the chip by connecting pin 14 to the positive rail.

4. Ground the chip by connecting pin 7 to the ground rail.
5. Connect the input pins 1 and 2 to the inputs from the two switches.
6. Connect the output pin 3 to the LED.

If everything is connected correctly, the circuit will implement an AND gate with the input coming from the two switches.

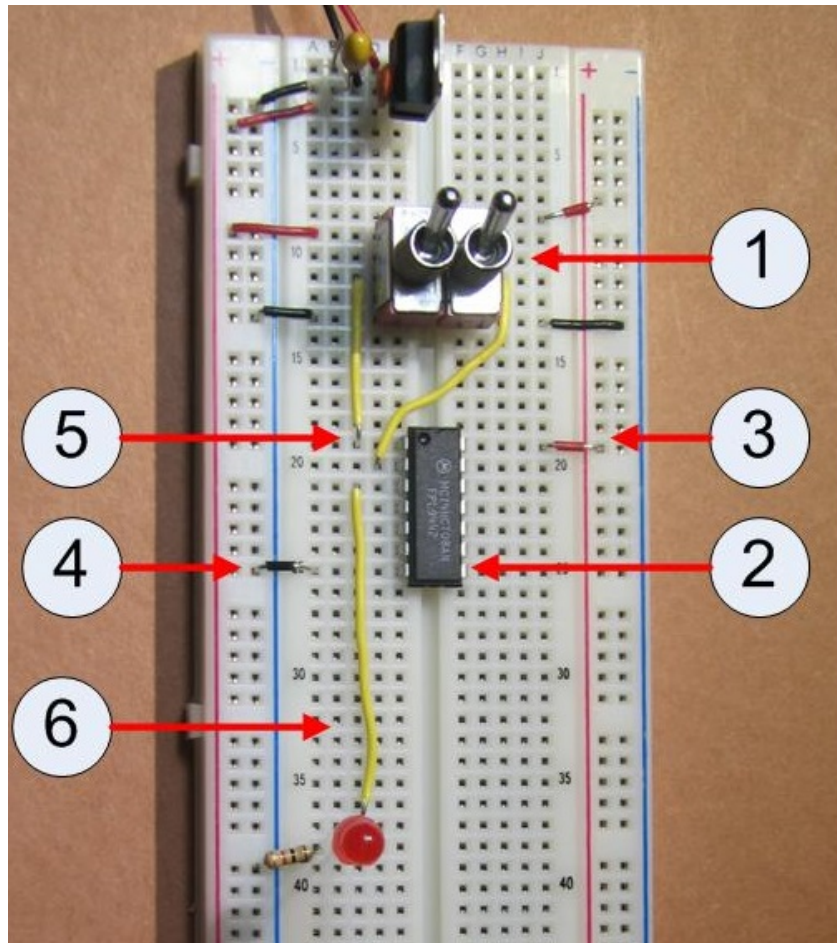


Figure 4-9: 7408 AND gate circuit

4.6 Exercises

1. Draw the symbols for the NAND, NOR, XOR, and XNOR gates. What is the difference between the Buffer, AND, OR, XOR and the NOT, NAND, NOR, and XNOR gates?
2. Implement the AND chip circuit show in Figure 4-9. Show by various combinations of the switches that the circuit matches the AND gate truth-table.
3. Modify the circuit from question 2 to use a second AND gate on the chip. You should use the same input switches on the circuit, so the resulting lighting of the LED should be the same.
4. Remove the AND chip from the circuit in Exercise 3, and replace it with the OR chip. Show that the circuit matches the OR gate truth-table. Try other chips (NAND, XOR,

etc) that you have from the lab kit.

- There are 16 possible combinations of output given 2 inputs. These 16 combinations are given in the following table. Use Logisim to identify the NAND, NOR, XOR and XNOR operators. See how many of the others you can name. The AND and OR are entered in the table for you.

Input		Output																
A	B		AND							OR								
0	0	0	0	0	0	0	0	0	0	0	1	1	1	1	1	1	1	1
0	1	0	0	0	0	1	1	1	1	1	0	0	0	0	1	1	1	1
1	0	0	0	1	1	0	0	1	1	1	0	0	1	1	0	0	1	1
1	1	0	1	0	1	0	1	0	1	1	0	1	0	1	0	1	0	1

Chapter 5 Associative Boolean operators

5.1 Introduction

This chapter looks at which Boolean operators are associative. Associative operations allow arbitrary groupings of the operations. For example, addition is associative. We can show this with the following two equations, which are equal:

$$x = (2 + (3 + (4+5))) = 14$$

$$x = (2 + 3) + (4 + 5) = 14$$

Subtraction is not associate, as can be seen in the equations below:

$$x = (2 - (3 - (4 - 5))) = -2$$

$$x = ((2 - 3) - (4 - 5)) = 0$$

These examples show that subtraction is not associative, and while they do not prove that addition is associative, they are illustrative that addition is associative at least for this example. The proof that addition is associative is not really of interest in this text, and can easily be found in an online search.

Like arithmetic operators, Boolean operators can also be associative, commutative, and distributive. This chapter will create circuits which will demonstrate the associative property for Boolean operators. The exercises at the end of the chapter allow the reader to further explore these properties.

5.2 Modeling associative operations in Logisim

To demonstrate which Boolean operators are associative, the first step is to write equations for each operator which implement two associative ways to implement an expression, and see if the results are equivalent or not. A first equation for the AND operation could be the following: $((A * B) * C) * D$. In this equation, the results of the output from each AND gate serially feeds the inputs to the AND next gate, where it is matched with the next input. This is shown in Figure 5-1 below:

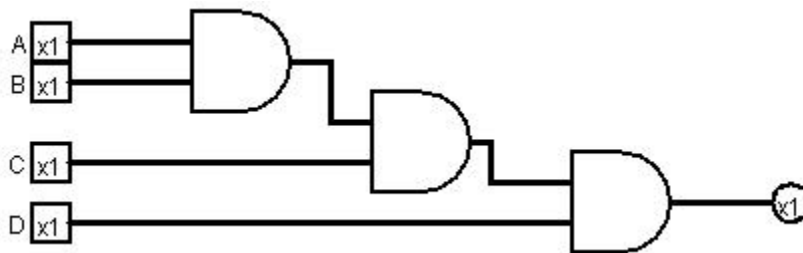


Figure 5-1: Serial AND circuit

A second equation, $(A * B) * (C * D)$, does the first two AND operations in parallel, and then combines the results, as shown in Figure 5-2 below:

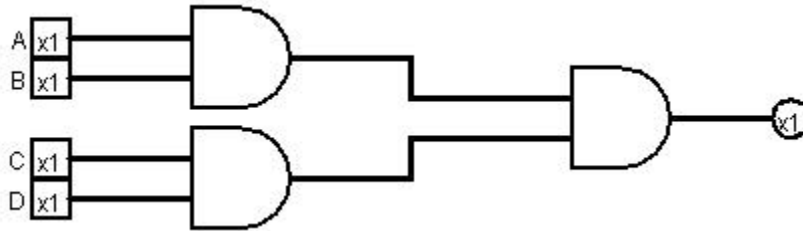


Figure 5-2: Parallel AND circuit

These two circuits can be implemented in Logisim, and the results used to fill in the table for Exercise 1 in Section 5.5. This will show that for these two equations, the AND operator is associative. Changing the Boolean operator by inserting a different gate will give results for the rest of the table.

5.3 Implementing the circuit

The two expressions given above will now be implemented in a breadboard circuit to confirm that they are indeed associative. This exercise also serves to show how to implement circuits which require cascading of outputs from one gate to another in a circuit, and to better see how the circuit diagrams from Logisim can be translated into circuits implementations.

5.3.1 Implementing the serial AND circuit

The serial AND circuit from Figure 5-1 is implemented in Figure 5-4 below. Step by step instructions for implementing this circuit follow, and the numbers correspond to numbers in the picture of the circuit in Figure 5-4. You should start with a circuit with the powered 7408 chip on the breadboard from Chapter 3 (pins 7 and 14 connected to ground and positive respectively). The pin layout schematic from Figure 4-6 is repeated here as Figure 5-3 for ease of reference in the steps below.

0. This circuit requires 4 inputs, labeled A, B, C, and D. Install 4 switches just as in Chapter 3, and as shown in Figure 5-4.
1. Install and power the 7408 chip (quad AND gate).
2. The first two switches, A and B, form the inputs to the first AND gate (pins 1 and 2). The output is on pin 3 is the result of $A*B$.
3. The output from the first AND gate (pin 3) is the input to the third AND gate (pins 13). This is done by connecting pin 3 to pin 13.
4. Connect the switch C to the second input to the third AND gate (pin 12). The output from this AND gate, on pin 11, is $((A*B)*C)$.
5. Connect the output from the third AND gate, pin 11, to the fourth AND gate by connecting pin 11 to pin 10. Note that in the picture this connection is a bare wire, and might be hard to see.
6. Connect the second input to the fourth AND gate by connecting switch D to pin 9. The output of the third AND gate, pin 8, is $(((A*B)*C)*D)$.
7. The final output of the circuit is the output of the fourth AND gate on pin 8. Connect pin 8 to the led. When all 4 switches are turned on, the LED should light.

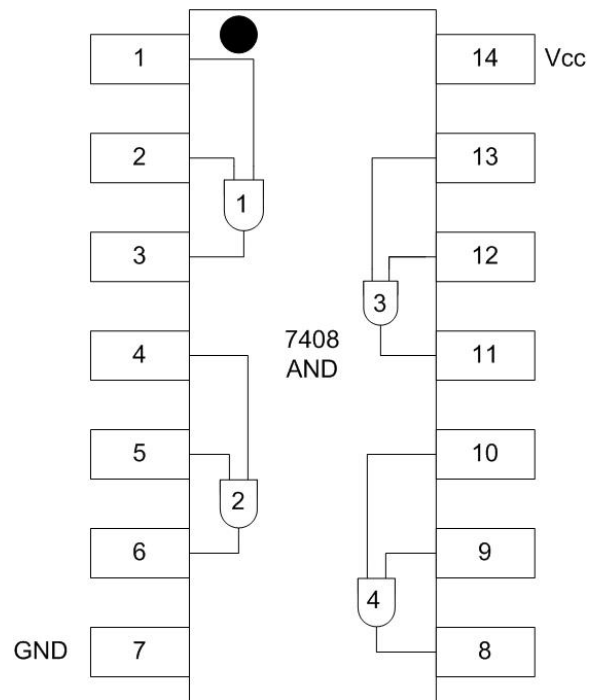


Figure 5-3: 7408 pin configuration diagram

When this is completed, your circuit should light the LED only when all 4 switches are in the on position.

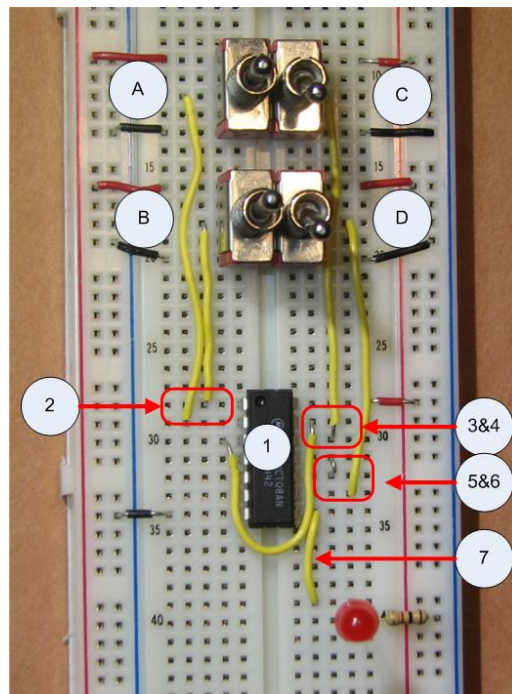


Figure 5-4: Serial AND implementation

5.3.2 Implementing the parallel AND circuit

The parallel AND circuit shown in Figure 5-2 is implemented in Figure 5-5. This circuit is created from the serial circuit in Figure 5.4 by making the following modifications.

1. Move switch D so that it is now input to the second AND gate, pin 13.
2. Move the output from the first AND gate so that it is now input to third AND gate, pin 9.

This circuit should produce the exact same output as the circuit in section 5.4.1, e.g. the LED should turn on when all of the switches are turned on.

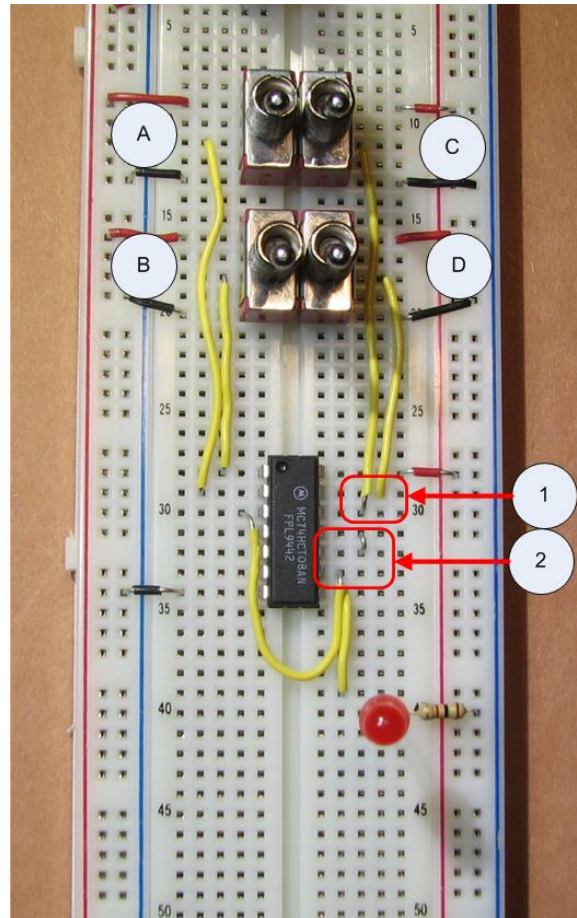


Figure 5-5: Parallel AND implementation

5.4 Conclusion

Like arithmetic operators, Boolean operators can be associative, commutative, and distributive. These properties affect the way that circuits are implemented, and the effects can be seen when building larger circuits.

5.5 Exercises

1. Implement the circuits in Figures 5-4 and 5-5.

2. Completing the following table by implementing circuits in Logisim for the operations AND, OR, XOR, NAND, and NOR. Which operations appear to be associative?

The output columns for the table below are defined as follows (the XOR operator is \wedge , and NOT is $!$, which is consistent with Java):

$$\begin{aligned} A_s &= (A * (B * (C * D))) & X_s &= (A \wedge (B \wedge (C \wedge D))) & N O_s &= !(A + !(B + !(C + D))) \\ A_p &= (A * B) * (C * D) & X_p &= (A \wedge B) \wedge (C \wedge D) & N O_p &= !(!(A + B) + !(C + D)) \\ O_s &= (A + (B + (C + D))) & N A_s &= !(A * !(B * !(C * D))) \\ O_p &= (A + B) + (C + D) & N A_p &= !(!(A * B) * !(C * D)) \end{aligned}$$

Input				Output									
A	B	C	D	A _s	A _p	O _s	O _p	X _s	X _p	N A _s	N A _p	N O _s	N O _p
0	0	0	0										
0	0	0	1										
0	0	1	0										
0	0	1	1										
0	1	0	0										
0	1	0	1										
0	1	1	0										
0	1	1	1										
1	0	0	0										
1	0	0	1										
1	0	1	0										
1	0	1	1										
1	1	0	0										
1	1	0	1										
1	1	1	0										
1	1	1	1										

3. Implement circuits in Logisim that show whether or not the operations AND, OR, XOR, NAND, NOR, and XNOR are commutative. This can be accomplished using circuits with only 3 inputs and 2 operations. Create a table similar to the one in problem 2.

Which operations appear to be commutative?

4. Implement two circuits showing the commutative property using your breadboard and chips.
5. Implement circuits in Logisim that show whether or not the operations AND, OR, XOR, AND, NOR, and XNOR are distributive. This can be accomplished using circuits with only 3 inputs, but one version requires 2 operations and the other 3 operations. Create a table similar to the one in problem 1, except with only 3 inputs, and complete it. Which operations appear to be distributive? Implement the circuits using the breadboard.
6. Implement two circuits showing the distributive property using your breadboard and chips.
7. Show, by creating the circuit in Logisim, that a 32-way parallel AND operation can be implemented such that it only can be executed in $5 \cdot T$ time (where T is the time to do a single AND operation). What does this exercise imply about the runtime growth of associative operations when run in parallel? This question is for more advanced students, and assumes some background in data structures and algorithms, but illustrates an important point about parallelizing of associative operations.

Chapter 6 Adders

6.1 Introduction

The material covered up to this point was used to show how to implement circuits. This chapter will cover a circuit that will be used as an IC, and this circuit forms a basic building block of a CPU.

Addition is central to all arithmetic operations, and all other arithmetic operations (subtraction, multiplication, and division) can be built using addition. Therefore, addition is central to implementation of the Arithmetic Logic Unit (ALU) in a CPU shown in Figure 6-1. This chapter will show how addition of whole numbers using Boolean operations, and how it can be implemented in a circuit.

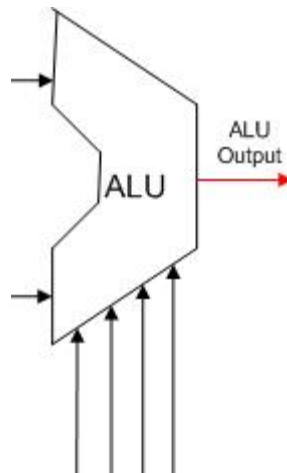


Figure 6-1: ALU

This chapter will first look at how two one-bit binary numbers can be added, which will be implemented using a circuit called the half adder. The need for a carry bit will become apparent when trying to add numbers larger than a single bit, and this will be done using a circuit called a full adder. Full adders will then be chained together to form an n-bit adder, which will be able to perform addition of whole numbers.

6.2 Half adder

The circuit presented in this section is called a half adder. A half adder is an adder which adds two binary digits together, resulting in a *sum* and a *carry*.

Why is it called a half adder? Because this adder can only be used to add two binary digits, it cannot form a part of an adder circuit that can add two n-bit binary numbers. The adder circuit which will be used to add n-bit binary numbers is called a full adder. This adder is less than a full adder, and hence it is called a half adder.

6.2.1 Adding binary numbers

To understand binary addition, we must remember how we did addition when we first learned it. When executing decimal addition for any two digits, the result can have 2 digits. For example $7+6=13$. The first digit (in this case 1) is called the *carry* (C), and the second digit is called the

sum (C). The purpose of the carry is to be included in the addition of the next digit of the number. For example, to calculate $17 + 26$, first the $7+6$ operation is performed, and the digit 3 is moved to the answer. The carry 1 is added to tens digits from 17 and 26 ($1+1+2$) to give the number 4, and the answer is combined to produce 43.

Thus the carry digit is *carried* to the addition in the next digit. So when adding two digits the output from the operation is a sum and a carry. Remember that a carry always produced, even if it is 0. To calculate $14+22$, the 4 and 2 are added, resulting in a 6 with a carry of 0. This is important to remember, every addition results in a sum and carry, though the carry can be 0.

Binary addition for two binary numbers each containing one digit works the same way as decimal addition for two decimal one digit numbers, but is simpler because the two input values can only have 2 states (either 0 or 1). So give two binary inputs to an addition (X and Y) we can summarize the possible results of adding those bits in the following truth table. Note that the added values produce two results, a sum and a carry, both of which are either 0 or 1.

Input		Output	
X	Y	S	C
0	0	0	0
0	1	1	0
1	0	1	0
1	1	0	1

Figure 6-2: Half adder truth table

6.2.2 Half adder circuit

The truth table in Figure 6-2 shows that the outputs S and C are simply binary functions on X and Y. Specifically the S output is the result of an XOR operation $X \oplus Y$. The C output is the result of an AND operation, $X * Y$. This circuit can be designed and implemented in Logisim, as shown in Figure 6-3.

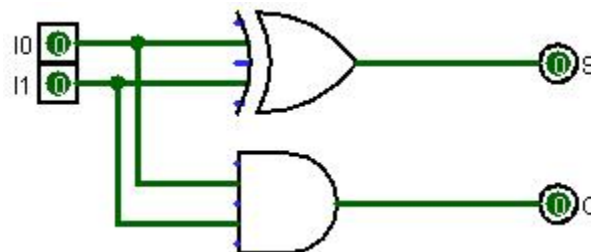


Figure 6-3: Half adder circuit

This simple circuit adds two inputs, I_0 and I_1 , and produces a sum and carry. This is the first circuit that we have implemented that has two outputs. This is not a problem. Any number of functions can be applied to a set of input data, and a single set of input data can result in any

number of outputs.

6.2.3 Half adder implementation

This section will show how to implement the half-adder as a circuit on the breadboard. The circuit has 2 inputs (X and Y), so it will require two switches. The circuit has 2 outputs, thus it has 2 LEDs, one LED for the carry, and one LED for the sum.

The circuit needs to use two chips since chips can contain multiple gates, but all of the gates on the chip are of the same type. This circuit needs one chip for the XOR gate and one chip for the AND gate. The 2 chips being used are the 7408 AND chip, and the 7486 XOR chip. Both of these chips are quad (4) gate chips, but this circuit will only use one gate on each chip.

The implementation of the half adder is shown in Figure 6-5, and the following steps refer to that figure.

0. Place two switches, which will be the X and Y input, on the breadboard, and connect them as in previous labs.
1. Place the 7486 (XOR gate) chip on the breadboard and power the chip as in previous projects by connecting pin 7 to the ground rail, and pin 14 to the positive rail. The pin configuration for the 7486 chip is given in Figure 6-4.

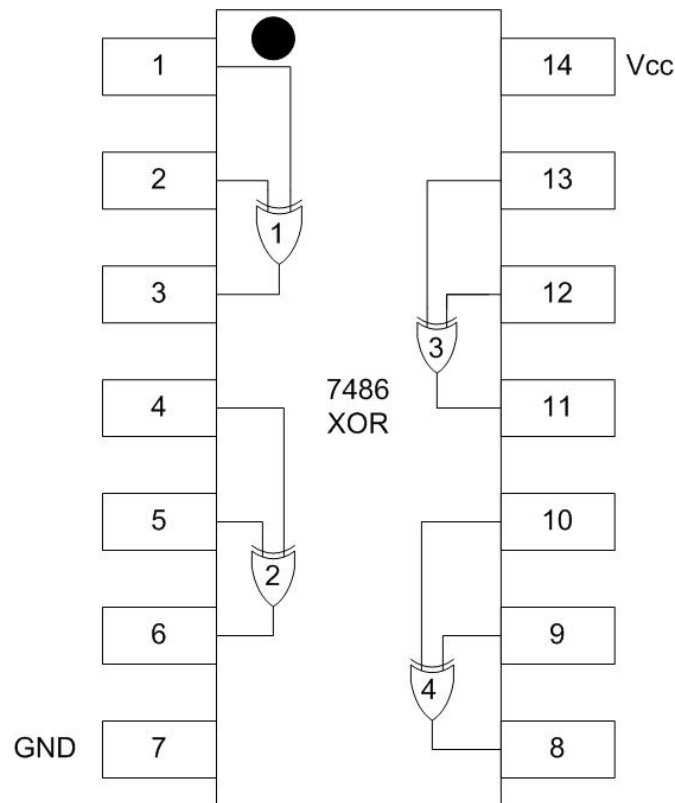


Figure 6-4: 7486 pin configuration diagram

2. Place the 7408 (AND gate) chip on the breadboard and power the as in previous projects

by connecting pin 7 to the ground rail, and pin 14 the positive rail for both chips.

3. Connect both switch X and Y to the input of the third XOR gate (pins 12 and 13) on the 7486 chip. Connect the output for the XOR gate (pin 11) to the input for the green, or sum, LED.

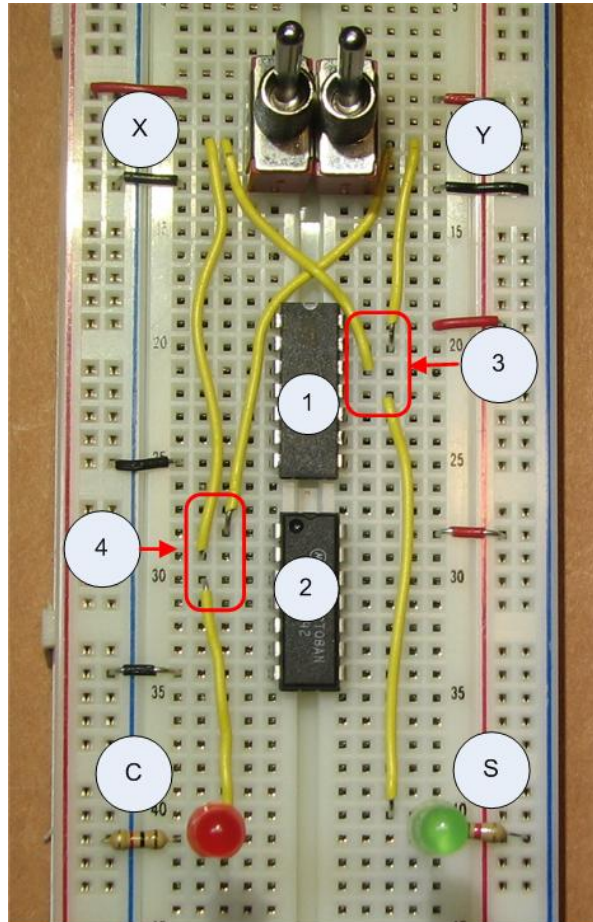


Figure 6-5: Half adder implementation

4. Connect both switch X and Y to the input of the first AND gate (pins 1 and 2) on the 7408 chip. Connect the output for the AND gate (pin 3) to the input for the red, or carry, LED.

The circuit should now be dark if both switches are off, the green LED should light if only one switch is on, and the red LED should light if both switches are on.

6.3 Full adder

As was alluded to earlier, the problem with a half adder is that it does not consider the input carry bit, C_{in} . To understand C_{in} , consider the addition problem for two binary numbers in Figure 6-6. In this problem, the result of adding the first digit of the two inputs values is a sum of 1 with a carry of 1. This carry of 1 must be considered when adding the next digit of the two input numbers. So the carry from each preceding digit must be included in the calculation of the result when adding binary numbers, and in effect the carry *ripples* through the digits of the addition

(hence this type of adder is called a *ripple-carry* adder).

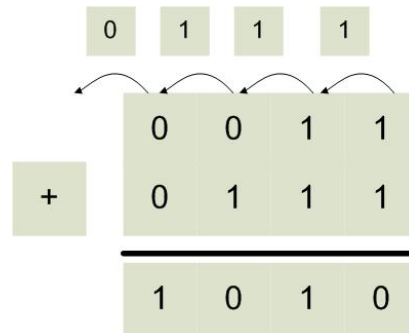


Figure 6-6: Addition problem showing a carry bit

The inclusion of the carry bit means that an adder for a single digit in a binary addition requires 3 inputs, the binary digit from the X and Y values being added, and the *carry-out* (C_{out}) from the addition of the preceding digit, which is the *carry-in* (C_{in}) to this digit. The circuit that implements this addition is called a full adder circuit. The truth table which implements a full adder is given in the table below.

Input			Output	
X	Y	C_{in}	S	C_{out}
0	0	0	0	0
0	0	1	1	0
0	1	0	1	0
0	1	1	0	1
1	0	0	1	0
1	0	1	0	1
1	1	0	0	1
1	1	1	1	1

Figure 6-7: Full adder truth table

6.3.1 Full adder circuit

The implementation details of the full adder are not as obvious as the half adder. There are still two output functions, S and C_{out} , but how to implement these functions is more complex. The first function, S, can be implemented by remembering that the XOR function is an odd function, that is the XOR result is 1 when an odd number of input bits is 1. Thus

$$S = X \oplus Y \oplus C_{in}.$$

is implemented with two cascading XOR gates.

The C_{out} function can be implemented by realizing that it is true if both the X and Y values are true, or if either the X or Y value is true and the C_{in} is true, or

$$C_{out} = (X * Y) + ((X \oplus Y) * C_{in})$$

Using these two functions for C and S, the circuit for the full adder can be represented in Logisim as the following diagram.

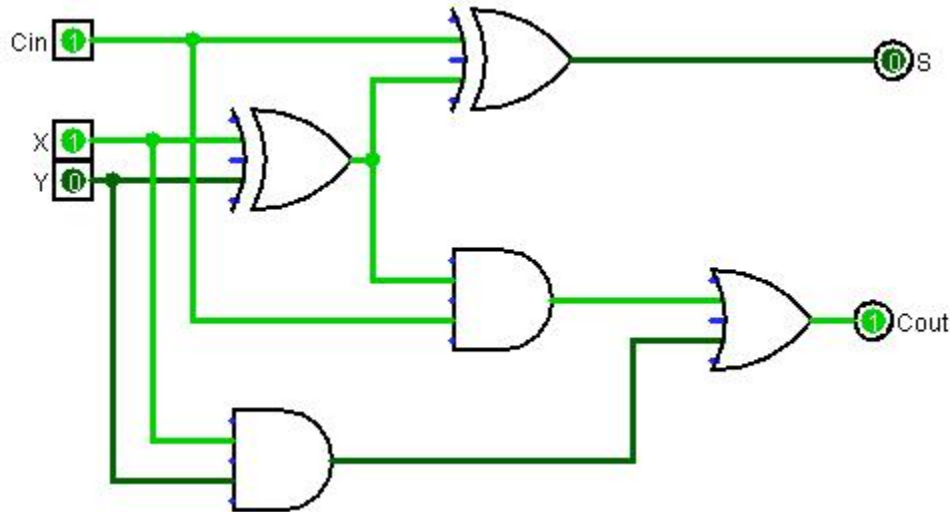


Figure 6-8: Full adder circuit

6.3.2 Full adder implementation

The implementation of the full adder is by far the most complex circuit we have implemented up to this time. So while neatness when implementing a circuit always counts, it is now important to be very careful to consider not only how the circuit is implemented, but what gates on the chips to use and how to make the connections. A haphazard implementation of the circuit will become very messy and hard to understand, implement, and debug.

1. Begin by installing and powering 3 switches. The first two switches will be the X and Y values for the circuit, and the third switch will be the C_{in} value to the circuit. Note the order of the switches is different than for the half adder. This circuit is somewhat complex, and so the placement of the switches is designed to keep the rest of the circuit as simple as possible.
2. This circuit requires 3 types of gates, so 3 chips must be used. Install the 7486 (XOR) chip on the board, and power it as before.
3. Install the 7408 (AND) chip on the board and power it.
4. Install the 7432 (OR) chip on the board and power it. It is suggested that these chips be placed on the board in this order, as this is the order they will be accessed in the circuit. Any other placement of the chips will require wires to be run both forward and backward in this circuit, which will eventually be confusing.
5. Once the chips have been installed on the board, wire the XOR gates. Wire the X and Y switches to pins 1 and 2 (first XOR gate) on the left side of the 7486 chip. The output of the XOR gate will be on pin 3.

Note a couple of things about this gate. First the X and Y input wires are connected to the input pins, but are also connected to wires which send their values on to the AND gate in step 7.

Note also that the output on pin 3 is sent forward to two places: the input of the third XOR gate, and to the input of the second AND gate.

Finally note that the circuit has been designed to attempt to keep the wires used in the S output on the right of the board, and the wires used in the C output on the left side of the board.

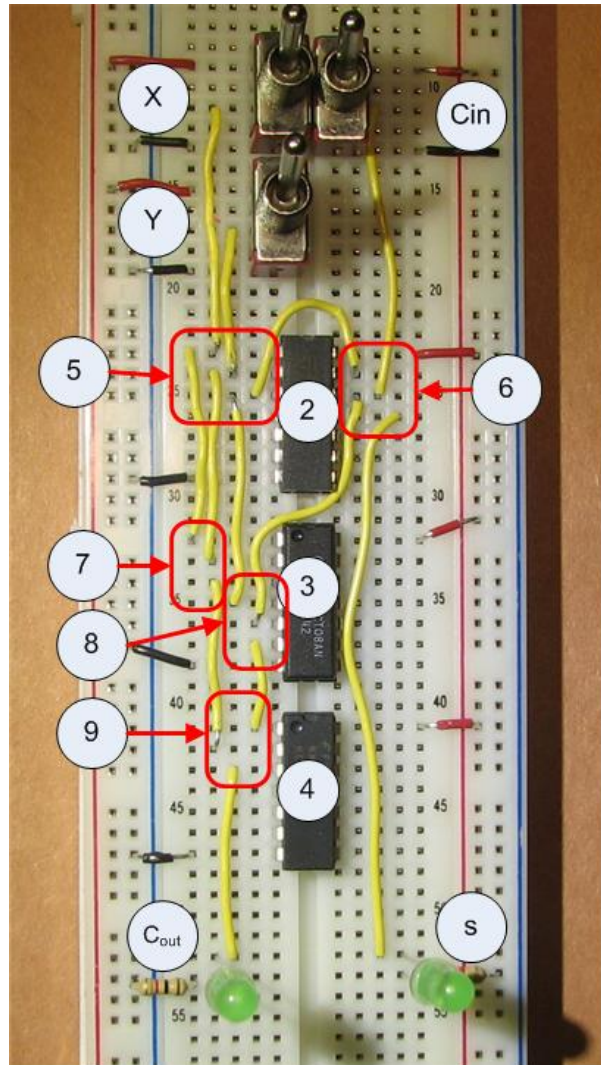


Figure 6-9: Full adder implementation

- Wire the output from the first XOR gate (pin 3 on the 7486 chip) and the C_{in} switch to the third XOR gate on the right side of the board, using pins 12 and 13 on the 7486 chip. The output from this XOR gate, pin 11 on the 7486 chip, will be the S output from the circuit, so connect this to the S LED.

Note that the C_{in} input on pin 12 will be forwarded to an input on the second AND gate, similar to what was done in step 5.

7. Wire the X and Y inputs, forwarded from pins 1 and 2 on the 7486 XOR chip, to the first AND gate, pins 1 and 2, on the left side of the 7408 chip. The output of this AND gate will be on pin 3, and sent to the input for the first OR gate.
8. Wire the output of the first XOR gate, pin 3 on the 7486, to the input of the second AND gate, pin 4, on the left side of the 7408 chip. Wire the C_{in} , forwarded from pin 12 on the 7486 chip, to the second input for this AND gate, pin 5 on the 7408 chip. The output from this AND gate will be on pin 6.
9. Connect the output of the first AND gate, pin 3 on the 7408 chip, to the first input on the OR gate, pin 1, on the 7432 chip. Connect the output on the second AND gate, pin 6 on the 7408 chip, to the second input, pin 2, on the 7432 chip. The output from the OR gate, pin 3 on the 7432, is the C_{out} output for the circuit. Wire this output to the C LED.

The circuit should implement the full adder behavior. If all switches are off, the circuit will be dark; if two or more switches are on, the C output will be on; finally if an odd number of switches are on the S output will be on. If all 3 switches are on, both the C and S LEDs will be on.

6.4 2-bit adder circuit

The full adder forms the basis for all arithmetic in a CPU. To illustrate this, a 2-bit adder is represented in Logisim in the Figure 6.6. This adder is implemented by using two instances of the 1-bit adder, and connecting the C_{out} from the first adder to the C_{in} of the second adder. The adder shown below is adding $X=11_2$ (3_{10}) plus $Y = 01_2$ (1_{10}), resulting in 100_2 (4_{10}), as expected. To create a n-bit adder (or example, a 32 bit adder used in many modern CPUs), 32 full adders can be wired together in a series, with the C_{out} of each bit being connected to the C_{in} of the next bit.

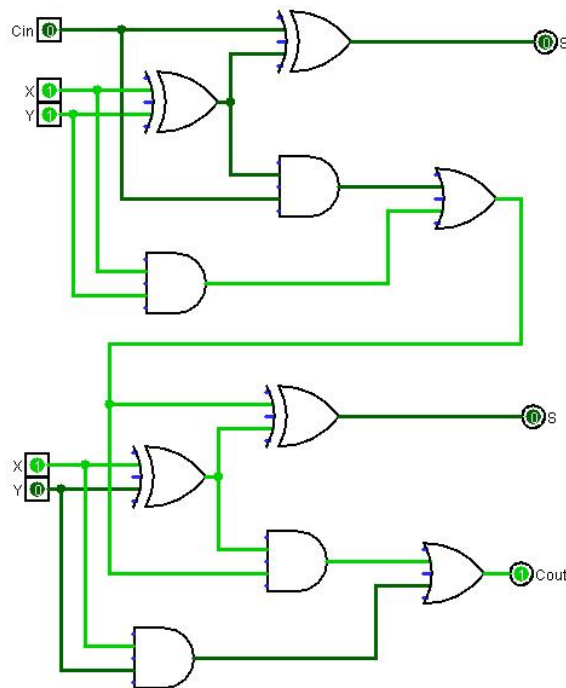


Figure 6-10: 2 bit full adder circuit

6.5 Conclusion

The adder forms the basis for all of the arithmetic functions in the ALU. Subtraction, multiplication, and division all are implemented using algorithms which are based on the adder. The adder is therefore a stand in for all of the other types of functions performed by the ALU.

Despite the appearance that addition is more complex, it can be implemented as a Boolean function consisting only of AND, OR, and XOR gates. These simple Boolean functions are implemented in circuits called half adders and full adders. It is when these functions are chained together so that the carry from each previous function is used in the next function that the adder can add larger numbers.

The implementation of the full adder circuit is more complex than the other circuits which have been looked at so far. It required 3 different chips, 2 outputs, and 5 gates that had to be connected. This circuit required some degree of carefulness and forethought to implement and debug it.

The adder was the first circuit implemented in this text that is a component, and it has been encapsulated as an IC. The 7482 (2-bit binary full adder) and 7483 (4-bit binary full adder) IC chips are implementations of this circuit.

6.6 Exercises

1. Implement the half adder circuit on the breadboard.
2. Implement the full adder circuit on the breadboard.
3. Using the 2-bit adder presented in the chapter as a model, implement a 4-bit adder in Logisim. Implement an 8 bit adder.

Chapter 7 Decoders

7.1 Introduction

Decoders are circuits which break an n -bit input into 2^n individual output lines. For example, a decoder could break down 2 bit operations code into 4 separate operations. The operation code tells the CPU which operations to run. A 2 bit operation code is summarized in the following table. Here the code 00 corresponds to the operation ADD, 01 corresponds, to SUB, etc.

Code	Operation
00	ADD
01	SUB
10	MUL
11	DIV

Figure 7-1: Control lines for ALU

The Control Unit (CU) of the CPU would break the binary number down so that each operation would match exactly one control line. This is called a 2-to-4 decoder since 2 input bits are converted into 4 output lines. A schematic of the decoder to implement this CU is shown in the figure below.

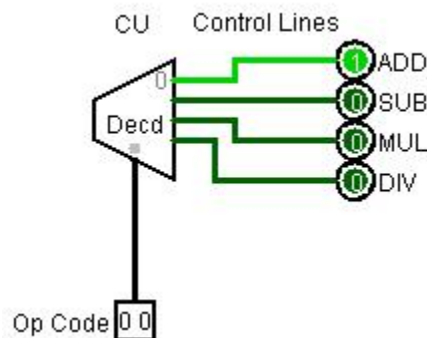


Figure 7-2: Decoder used to set ALU control lines

Most CPUs support instruction sets that are much larger than simply ADD/SUB/MUL/DIV, and thus a 2-to-4 decoder is not that common, however the principals used to create a 2-to-4 decoder are the same even as the size of the decoder becomes larger. This chapter will only look at the 2-to-4 decoder. Larger decoders will be considered in the exercises at the end of the chapter.

7.2 Decoder circuit

The implementation of a decoder is based on the idea that all possible combinations of output from a given set of inputs can be generated by using AND operations on combinations of the input and inverted input bits. For example, for the two bits A and B all of the possible combinations of the bits are 00, 01, 10, and 11, or $A'B'$, $A'B$, AB' , and AB .

Consider the decoder in Figure 7-2, which has two inputs and 4 outputs. The implementation of this decoder is given in Figure 7-3. There are 2 inputs lines which are split into 4 lines, 2 normal and 2 inverted. These 4 lines are sent to 4 AND gates, each AND gate producing an output for one and only one value from the 2 input lines.

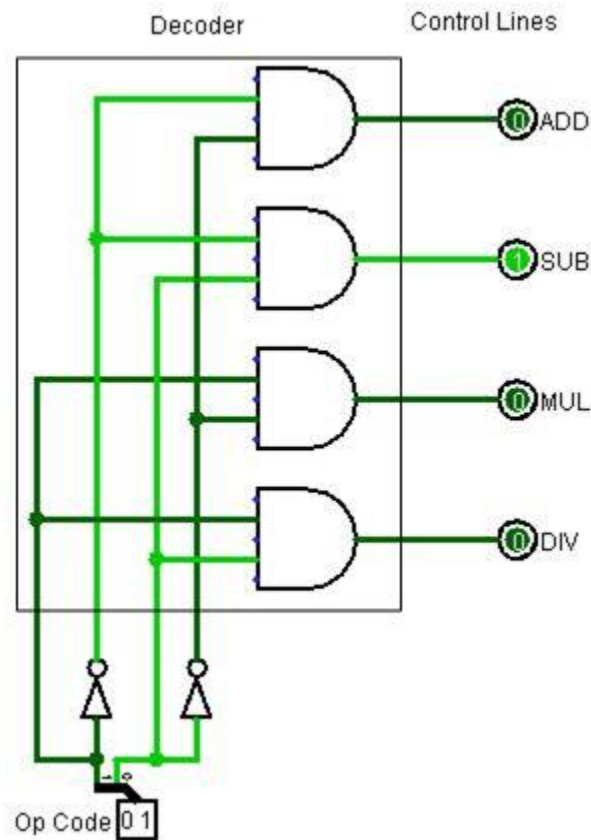


Figure 7-3: Decoder circuit

This shows a decoder is a circuit which enumerates all the values from the input bits by splitting them into separate output lines. A 3-to-8 decoder would have 3 input bits which would use AND and NOT gates to produce 8 output (000, 001, 010, 011, 100, 101, 110, and 111). The implementation of a 3-to-8 decoder is left as an exercise.

7.3 2-to-4 decoder implementation

The 2-to-4 decoder will need to use two switches, four LEDs, a 7404 (inverter) chip and a 7408 (AND) chip. The input will come from two switches. The following steps refer to Figure 7-5.

0. Install switches A and B, as well as the output LEDs AB, AB', A'B, and A'B'.
1. Install and power the 7404 (NOT) chip. The pin configuration diagram for this chip is shown in Figure 7-4. Note that the gates on these chips have only a single input for each output, so there are 6 NOT gates on the chip.

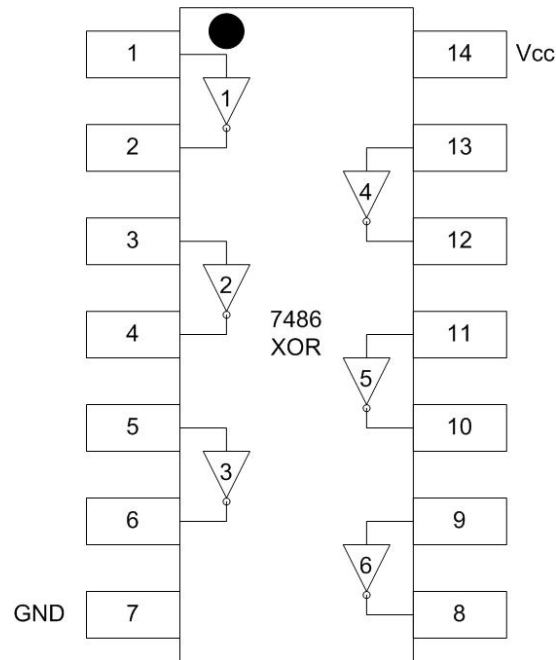


Figure 7-4: 7404 pin configuration diagram

2. Install and power the 7408 (AND) chip.
3. Connect a wire from switch A to the first NOT gate, pin 1, on the 7404 chip. The output for this NOT gate is on pin 2.
4. Connect a wire from switch B to the third NOT gate, pin 5, on the 7404 chip. The output for this NOT gate is on pin 6. The third gate is used to make some separation for the wires. The second NOT gate (pin 3 input and 4 output), or indeed any two NOT gates on the chip can be used. Note that the input on pin 5 is also sent to step 8, and the output from pin 6 is sent to two separate gates in steps 6 and 7.
5. Connect the two outputs from the NOT gates, pins 2 and 6 on the 7404 chip, to the third AND gate on the 7808 chip, pins 12 and 13. Connect the output from this AND gate, pin 11, to the A'B' LED. Note that the input on pin 13 is forwarded and to step 6.
6. Connect switch B and the A' output (forwarded from pin 13 in step 5), to the fourth AND gate on the 7808 chip, pins 9 and 10. Connect the output from this AND gate, pin 8, to the A'B LED.
7. Connect switch A and the B' output, pin 6 on the 7404 chip, to the first AND gate on the 7408 chip, pins 1 and 2. Connect the output of this AND gate, pin 3, to the AB' LED. Note that the A input is also connected forward to the next gate. Note that the input on pin 1 from switch A is also sent on to step 8.
8. Connect switch A (from pin 1 in step 7) and switch B (from pin 5 in step 4) to the second AND gate, pins 4 and 5, on the 7408 chip. Connect the output of this AND gate, pin 6, to the AB LED. Note that the A switch input to the second AND gate is connected from the first AND gate.

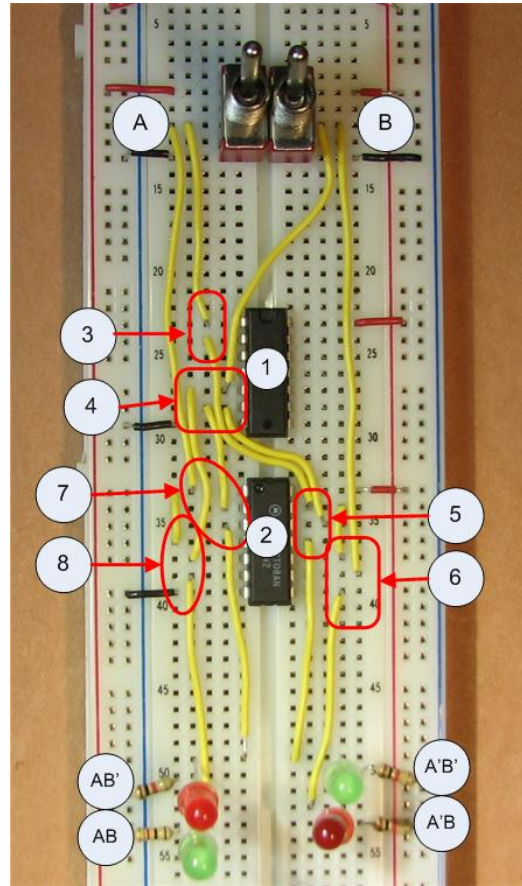


Figure 7-5: Decoder circuit

The decoder should now work. One light should come on for each of the 4 combinations of switch positions. Keep this circuit intact as it will be used in the multiplexer IC in Chapter 8.

7.4 Implementing a decoder using a single chip

A decoder circuit is a commonly used IC, and so it has been implemented in an IC chip. This chip is easier to use than having to produce this entire circuit, so it will be used in chapter 9 to implement a multiplexer. This next section will cover implementing the 74139 decoder chip in a circuit.

7.4.1 The 74139 chip

The 74139 chip implements two complete decoders implemented in a single chip. The two decoders are basically on opposite sides of the chip. The difference is that on the left side of the chip the bottom pin, pin 8, is connected to ground rail, and on the right side of the chip the top pin, pin 16, is connected to the positive rail.

The 74139 chip has an idiosyncrasy that its output is the inverse of the decoder implemented in section 8.2. This means that the selected output line is set to low, and the non-selected lines are

set to high⁷. So to adjust for this in the implemented circuit the output will be sent to an inverter on a 7404 chip before being sent to the LEDs. This will allow the output to be as it was in section 8.2.

Figure 7-6 is the pin configuration diagram for the 74139 chip. The two decoders on the chip are numbered 1 and 2. The inputs to the first decoder are $1E'$, $1A_0$, and $1A_1$, and the inputs to the second decoder $2E'$, $2A_0$, and $2A_1$. The values of A_0 and A_1 are the select lines for each decoder. The E' is an *enable input low* bit. If E' is not enabled (E is positive or not connected), the circuit is basically disconnected, it is neither positive or ground and the results should not be used. If E' is enabled (or connected to ground), the circuit is connected. The use of enable bits is to allow power to be reduced in the circuit, and is an engineering concern, and not really of concern to the circuit.

The outputs from the decoder are labeled $1Y[0-3]$ and $2Y[0-3]$. They are also active low, and the output line which is low is the one which is selected. In the circuit in this section, only the first decoder will be used, and the outputs will be sent to a 7404 inverted to convert the output to the more common positive output expected.

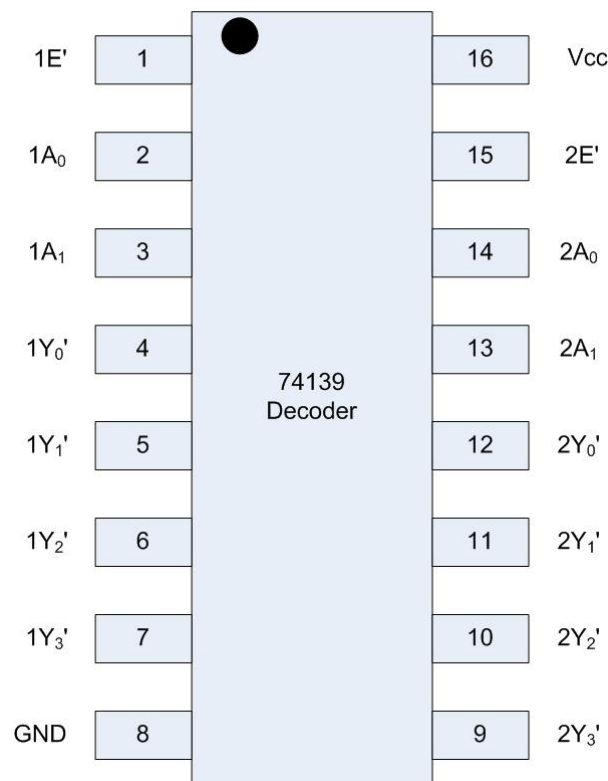


Figure 7-6: 74139 pin configuration diagram

⁷ The reason the output is set low is that the output from a decoder is often ignored unless it is the selected output. This means that positive wires can be ignored and not used. Since the low state uses less electricity and produces less heat than the high state, using a low enable rather than a high enable is an engineering decision to save power and heat.

7.4.2 Implementing one 2-to-4 decoder using the 74139 chip

This section will outline how to implement a 2-to-4 decoder using the 74139 decoder chip. To start, remember that the output from the 74139 is enable low, or true when the output is 0. So the output from the chip will have to be sent to a 7404 (NOT), and the circuit will consist of 2 chips. The following list of steps implements the decoder circuit using the 74139 chip.

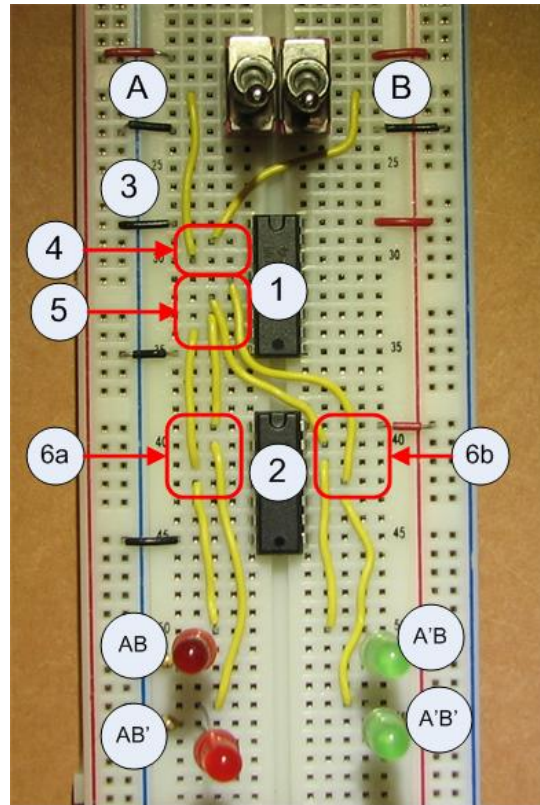


Figure 7-7: 74139 decoder circuit

0. Insert switches A and B, and the output LEDs A'B', A'B, AB', and AB.
1. Insert and power the 74139 decoder chip.
2. Insert and power the 7404 inverter chip.
3. Enable output from the first decoder on the 74139 chip by connecting the enable low pin (pin 1) to ground.
4. Connect the input switch A to pin 3 on the 74139 chip. Connect the input switch B to pin 2 on the 74139 chip.
5. Connect each output $1I_0$ to $1I_3$ to an inverter input as follows:
 - a. I_0 (pin 3) on the 74139 chip is connected to the fifth inverter (pin 11) on the 7404 inverter chip.
 - b. I_1 (pin 4) on the 74139 chip is connected to the fourth inverter (pin 13) on the 7404 inverter chip.
 - c. I_2 (pin 5) on the 74139 chip is connected to the first inverter (pin 1) on the 7404

inverter chip.

- d. I_3 (pin 6) on the 74139 chip is connected to the second inverter (pin 3) on the 7404 inverter chip.
6. Connect the inverter outputs to the correct LEDs:
 - a. Connect pin 10 on the 7404 inverter chip to the A'B' LED.
 - b. Connect pin 12 on the 7404 inverter chip to the A'B LED.
 - c. Connect pin 2 on the 7404 inverter chip to the AB' LED.
 - d. Connect pin 4 on the 7404 inverter chip to the AB LED.

This circuit should now behave like the circuit in section 7.3.

7.5 Conclusion

A decoder is an IC which splits an n -bit input value into 2^n output lines. A decoder has many uses, but the one presented here is translating a 2-bit input value into 4 lines to allow the 4 different operations of the CPU. The decoder will also be used in the next chapter as part of the multiplexer.

The decoder works by doing AND operations on all combinations of the input and inverted input values, and then selecting the output using an OR operation on all of the inputs.

The decoder is a common circuit, so it has been encapsulated in a 74139 chip. The 74139 contains 2 decoders, and based on the binary input to each decoder, selects the correct output. The 74139 chip is different in the enable and all output values are *enable low*, or selected when the value is low. Therefore to get the behavior we want from the chip, the values must be sent to an inverted (7404) chip to be used.

7.6 Exercises

1. Implement the 2-to-4 decoder using 7404 (NOT) and 7808 (AND) chips on your breadboard.
2. Implement the 2-to-4 decoder circuit with a 74139 chip on your breadboard.
3. Implement a 1-to-2 decoder in Logisim. Implement this circuit on your breadboard.
4. Implement a 3-to-8 decoder using NOT and AND gates in Logisim. Show that it is correct by showing it generates the same output as a 3-to-8 Decoder found in the Plexors menu of Logisim.
5. In Logisim, implement a 3-to-8 decoder using two 2-to-4 decoders, and as many AND gates as you need. Compare the total number of AND gates in the circuit to the number of AND gates used to implement the 3-to-8 decoder with 2-input AND gates in question 4. Which circuit do you think is faster.
6. Answer the following questions.
 - a. How many output lines would a 4 input decoder have?
 - b. How many output lines would a 5 input decoder have?
 - c. For an N -to- X decoder, specify X as a function of N (e.g. specify the number of output lines as a function of the number of input lines for a decoder).

Chapter 8 Multiplexers

8.1 Introduction

A multiplexer (or MUX) is a selector circuit, having $\log(N)$ select lines to choose an output from N input values. In a CPU, multiplexers are used to select the correct memory location values to send to the ALU, as shown below.

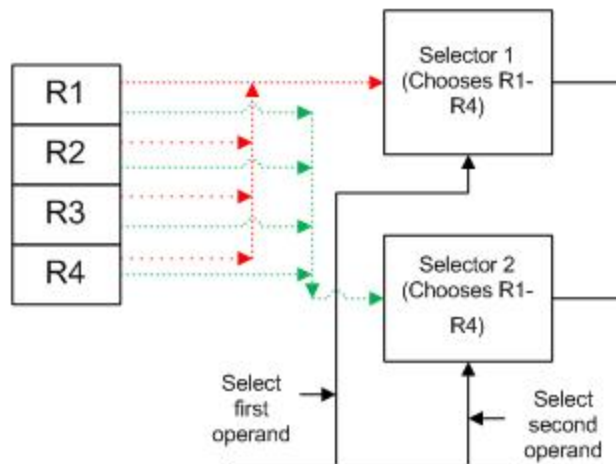


Figure 8-1: Multiplexer as a memory selector

MUXes have two types of inputs. The first type of input is the values to be selected from. In Figure 9-1 this input is the value contained in each memory location. Every memory location sends its value to both MUXes, the 4 values on the red line to Mux 1, and the 4 values on the green line to Mux 2. Thus both MUXes have all of the values from all memory to select from.

The second type of input is a set of selection bits which tells the MUX which of the inputs to choose. In Figure 9-1 this input is the two select lines coming from the CU. The two bits on each select line tell each MUX which of the 4 input values to choose.

The MUX in Figure 9-1 is selecting between n -bit values. The size, in bits, of the data value is called the data width. A data value which can contain the values 0..4 is represented by 2 bits, and so has a data width of 2; a data value which can contain the values 0..16 has a data width of 4; a data value which can contain the values 0..256 has a data width of 8; etc.

If the memory in Figure 9-1 had a data width of 8, it would select 8 bits from each of 4 inputs, and be called an 8 bit 4-to-1 multiplexer. Thus a MUX has some number of inputs to choose from, and simply forwards one of these inputs to the output.

The most basic type of MUX, the one on which all larger MUXes are built, is a 1 bit MUX. As will be shown later in this section an 8 bit 4-to-1 MUX is made up of eight 1 bit 4-to-1 MUX. So to understand multiplexers a 1 bit 4-to-1 multiplexer will be examined.

A 1 bit 4-to-1 multiplexer has four 1-bit data input values (I_0 - I_3) to choose from. Each bit value I_0 - I_3 can either be 0 or 1. For example, if I_0 is selected, the output will be either the value in I_0 , and either 0 or 1, and the other values of I_1 , I_2 , and I_3 are simply ignored. The following truth table characterizes this MUX based on the selection bits (S_0 - S_1)

:

Input		Output
S_1	S_0	Y
0	0	I_0
0	1	I_1
1	0	I_2
1	1	I_3

Figure 8-2: Truth table for a MUX

Note that when a line is selected, either a 0 or a 1 will be passed through to Y. The value of input bit is placed on the output value Y. So in the figure below, if S_1S_0 are 00, Y is 0. If S_0S_1 are 01, Y is 1, etc..

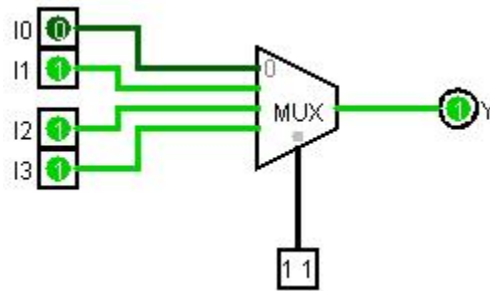


Figure 8-3: 1-bit 4-to-1 MUX

To allow a MUX with a larger data width, multiple MUXes are used. Figure 8-4 shows two 4-to-1 MUXes linked together to choose one 2-bit output from four 2-bit inputs, thus creating a 2 bit 4-to-1 MUX.

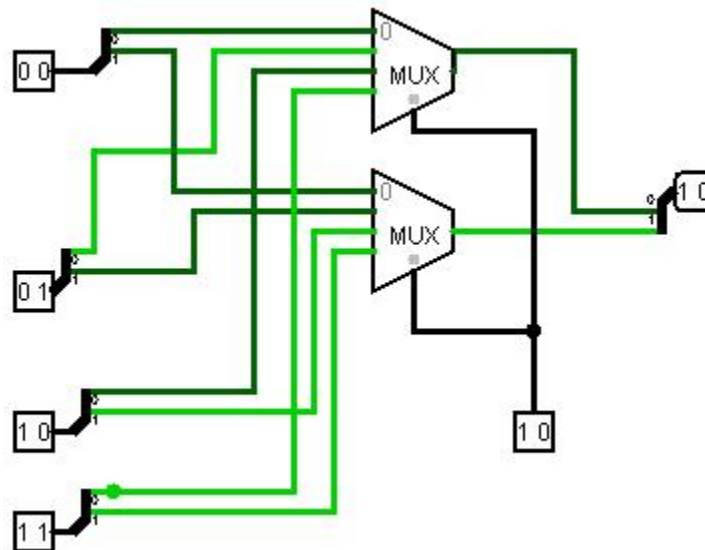


Figure 8-4: 4-to-2 MUX

The concept of linking MUXes in this manner can be expanded to produce a MUX that can have any size data width needed. If want to select an N bits of data (a data width of N), you need N MUXes.

In a CPU the purpose of a MUX is to allow a circuit to select one input from a set of inputs. For example, consider the follow circuit, which implements an adder to add two 8 bit numbers. The first number to be added comes from *Memory Set 1*, and the second number from *Memory Set 2*. Each set contains four 8-bit values. The MUXes in this circuit choose which item from each *Memory Set* to use in the addition. For the first set the select bits are set to binary 01, and the second value, binary 00000010, is selected. For the second set the select bits are set to binary 10 and the third value, binary 01000000, is selected. The two values are added together to produce the answer 01000010.

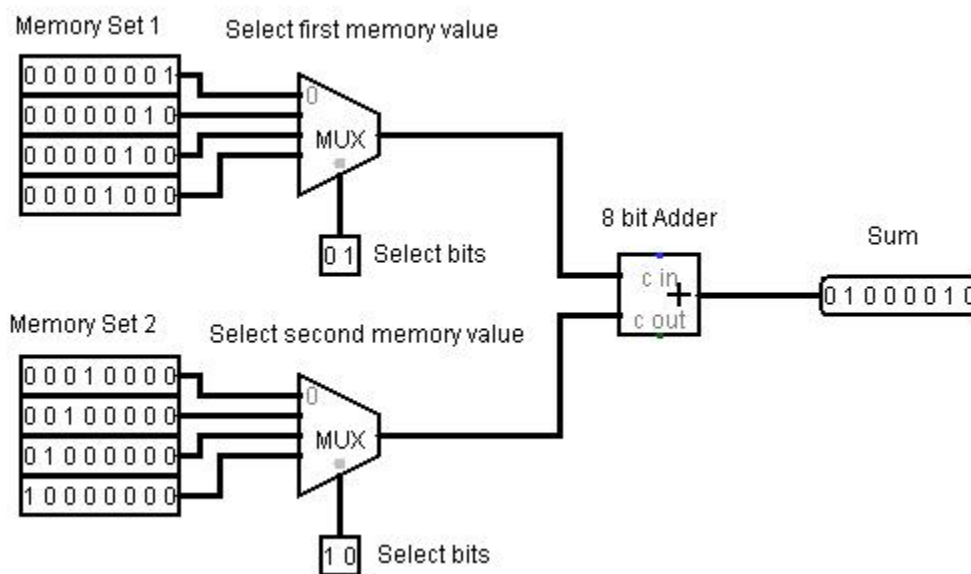


Figure 8-5: Two 4-to-8 MUXes

As this example shows, a MUX allows an input value of any fixed data width to be selected based on the value of select bits. The number of inputs which can be chosen from is 2^s , where s is the number of select bits.

8.2 Circuit Diagram for a MUX

The truth table in Figure 8-2 characterizes a 4-to-1 MUX.

Using this truth table, the 4-to-1 MUX can be built using by realizing I_0 is only selected when S_1S_0 are 00, I_1 is only selected with S_1S_0 are 01, etc. So the I_0 bit can be sent to an AND gate with the result of the inverted value of S_1 and S_0 . This AND gate will always be 0 except when S_1S_0 are 00, when it will be I_0 . In this manner I_1 , I_2 , and I_3 can be selected by an AND operation with 01, 10, and 11 respectively.

Note that only one input value can ever be selected for any value of S_0S_1 . The one input which is sent to an AND gate with 1 will be 0 or 1, based on its input. The result of all of the AND gates

are sent to a 4-way OR gate. Remembering $0 + X$ is always X , the result of the OR gate will represent the one input selected. It can be 0 or 1, but it will be 0 or 1 based on the value of the selected input.

The schematic of a MUX is given in the Figure 8-7.

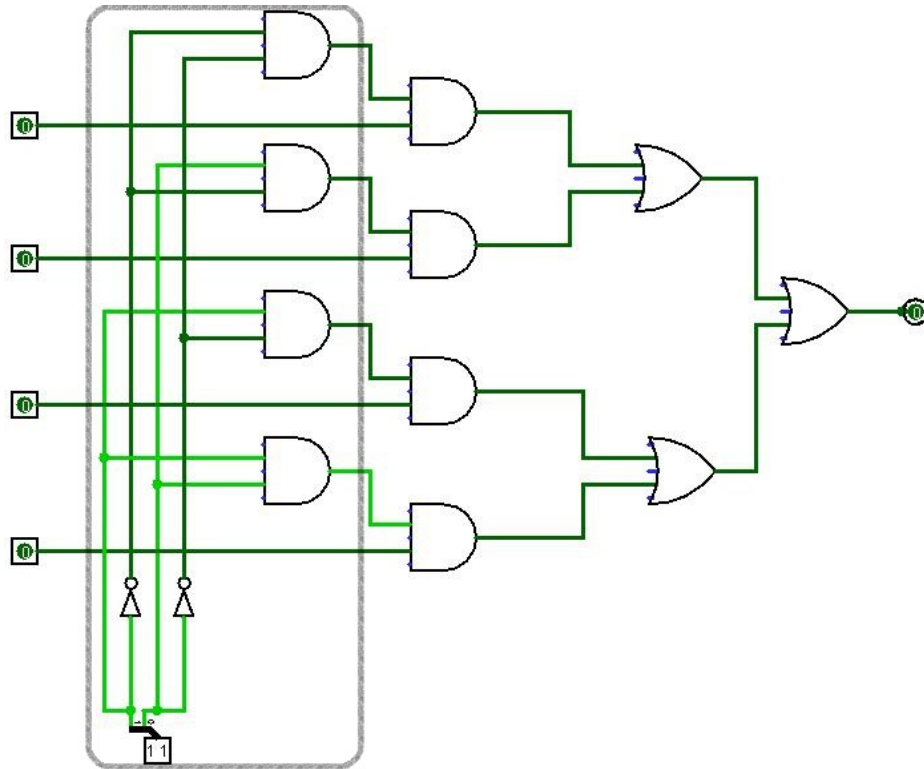


Figure 8-6: Schematic of a MUX

An interesting thing about this circuit is that a decoder is implemented as part of the multiplexer circuit, as shown in the outlined part of Figure 8-6. This suggests another way to implement the MUX using a decoder to select which input line to select. This is shown in Figure 8-7. We will make use of this in designing our implementation of a MUX.

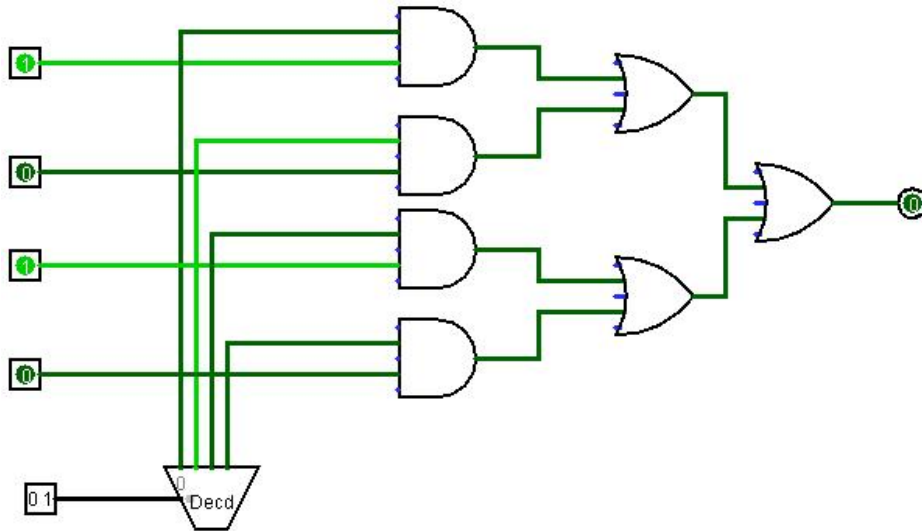


Figure 8-7: Decoder used to implement a MUX

8.3 Implementing a MUX

Figure 8-8 shows how to implement a multiplexer circuit on a breadboard using only 7808 (AND), 7804 (OR) and 7832 (OR) chips. It begins by using the circuit which was implemented in Chapter 7.2.

The input values to the MUX are "1 0 1 0", as shown in Figure 8-7. These are hard coded values, and implemented in the circuits as direct connections to the positive and ground rails on the breadboard.

1. Start with the decoder circuit which was implemented in Chapter 7.2
2. Install a 7408 (AND) chip to the board and power it.
3. Install a 7432 (OR) chip to the board and power it.
4. Wire the output from the A'B' gate in the decoder circuit (pin 11 on the 7408 chip labeled 1b) and wire it to the first input on the fourth AND gate (pin 13 on the 7408 labeled 2). Connect the second input to the AND gate (pin 12 on chip labeled 2) to a value of 1 by connecting it directly to the positive rail. The output of this AND gate (pin 11 on chip labeled 2) is forwarded to the 7432 (OR) chip.
5. Wire the output from the A'B gate in the decoder circuit (pin 8 on the 7408 labeled 1b) and wire it to the third AND gate (pin 10 on the 7408 chip labeled 2). Connect the second input to the AND gate (pin 9 on chip labeled 2) to a value of 0 by connecting it directly to the ground rail. The output of this AND gate (pin 8 on chip labeled 2) is forwarded to the 7432 (OR) chip.
6. Wire the output from the AB' gate in the decoder circuit (pin 3 on the 7408 chip labeled 1b) and wire it to the first AND gate (pin 1 on the 7408 labeled 2). Connect the second input to the AND gate (pin 2 on the chip labeled 2) to a value of 1 by connecting it

directly to the positive rail. The output of this AND gate (pin 3 on chip labeled 2) is forwarded to the 7432 (OR) chip.

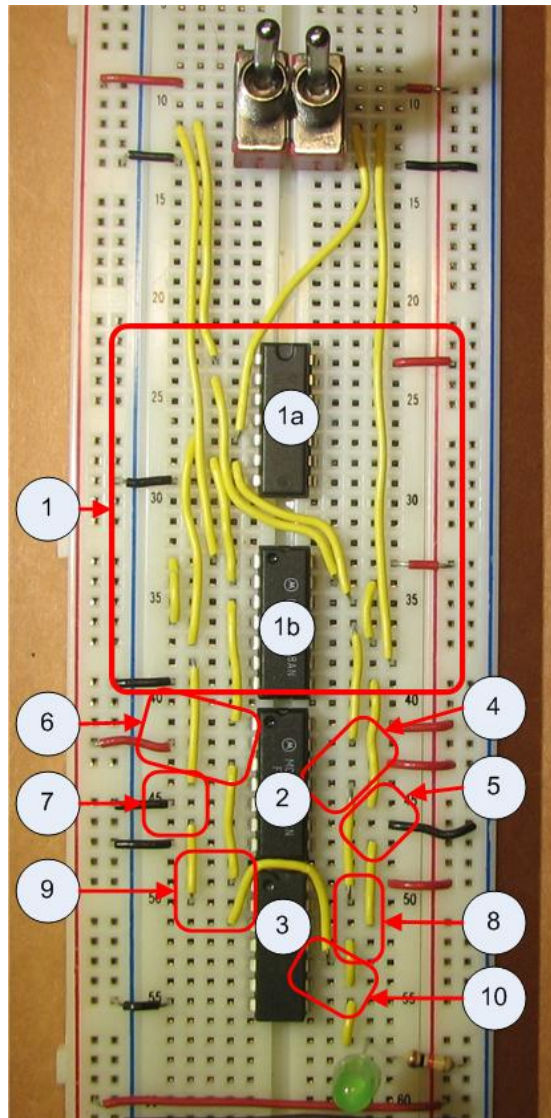


Figure 8-8: 4-to-1 MUX

7. Wire the output from the AB gate in the decoder circuit (pin 6 on the 7408 chip labeled 1b) and wire it to the second AND gate (pin 4 on the 7408 chip labeled 2). Connect the second input to the AND gate (pin 5 on chip labeled 2) to a value of 0 by connecting it directly to the ground rail. The output of this AND gate (pin 6 on chip labeled 2) is forwarded to the 7432 (OR) chip.
8. Forward two of the input values from the AND gate (pins 11 and 8 on the 7408 chip) by sending them to the fourth OR gate (pins 12 and 13 on the 7482 chip).
9. Forward two of the input values from the AND gate (pins 3 and 6 on the 7408 chip) by sending them to the first OR gate (pins 1 and 2 on the 7482 chip).

10. Forward the final output for the MUX by connecting the output of the first and fourth OR gate (pins 3 and 11 on the 7432 chip) to the input of the third OR gate (pins 9 and 10 on the 7432 chip). The output of the circuit is from the third OR gate (pin 8 of the 7432 chip). It is sent to the LED as the output from the MUX.

The MUX should now light when the switches A and B are in positions A'B' and AB'. The implementation of the MUX can be further tested by changing the input to the MUX by switching the inputs to the MUX, e.g. changing the rail to which pins 2, 5, 9, and 12 are connected.

8.4 74153 MUX chip

The MUX is a common circuit, and has been encapsulated into a single chip, the 74153 dual 4-to-1 data selector/multiplexer. This chip implements two multiplexers which share the two select lines. This section will use the 74153 chip to implement a circuit to mirror the input on/off switches. This circuit could easily be implemented by simply connecting the switches directly to the LED, as in Figure 3-11 for one switch and LED. The output is the same as in exercise 3-2. The reason this circuit is more interesting than the ones in Chapter 3 is that it shows how a MUX can be used to store and retrieve data values, and how those data values can represent a program.

8.5 74153 circuit diagram

The diagram for the 74153 input mirroring circuit is shown in Figure 8-10. In this circuit, the LED outputs will match the two input switches.

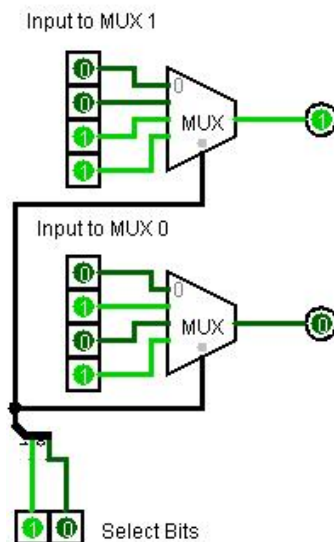


Figure 8-9: 74153 circuit diagram

In this circuit there are two 1 bit 4-to-1 MUXes used. Each MUX has 4 inputs which are addressed by the two select bits at the bottom of the diagram. The select bits retrieve one output bit from each MUX, which are sent to the LEDs. Note that the output from this circuit will exactly follow the input switches, to show which input switch is on. In a real sense, the hard wired input to the two MUXes represent a

type of sequential logic which is applied to the input to produce the output. We will use this method of implementing logic using a MUX in Chapter 10.

8.6 Implementing the 74153 circuit

Figure 8-12 shows the final implementation of the 74153 input mirroring circuit, as well as indicating the steps to be followed in implementing the circuit. These steps correspond to the numbers in the following list.

0. Install 2 switches and 2 LEDs.
1. Install and power the 74153 chip. Figure 8-10 is the 74153 pin configuration diagram. Most of the pins will be hardwired to values, which will be explained in the following list. Pins which are wired to other components in the circuit are explained in subsequent steps.

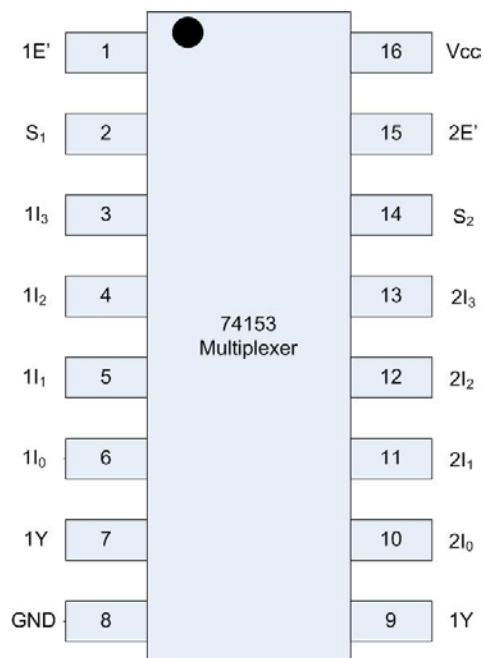


Figure 8-10: 74153 pin configuration diagram

- a. Pins 1 (1E') and 15 (2E') are enable low pins. Enable both multiplexers by connecting these pins to ground.
 - b. Pins 3..6 and 10..14 are the input values to the MUX. These are to be programmed as in Figure 8-10. Pins 3..6 are values 0011, and pins 10..14 are 0101. 0 values are connected to the ground rail, 1 values are connected to the positive rail.
2. Connect the switches to the input select values for the MUXes. Connect Switch 1 to S_1 (pin 2), and Switch 2 to S_2 (pin 15).
 3. Connect the output Y values to the LEDs.

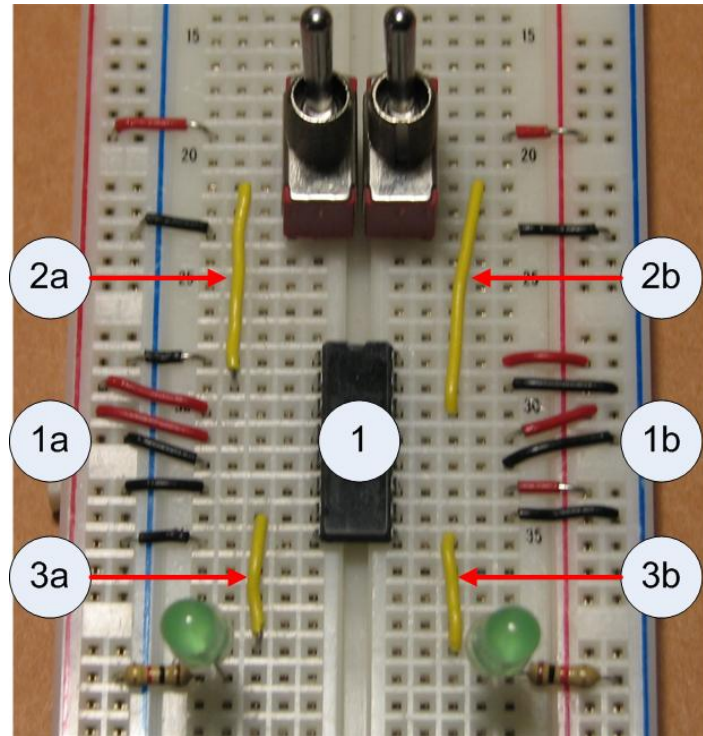


Figure 8-11: 74153 circuit

The circuit should now mirror the input switches.

8.7 Conclusion

A multiplexer, or MUX, is a circuit that selects a single output from multiple inputs. It has multiple uses. The main use of a MUX is to select between input values, such as input values to the ALU in a CPU. But it can also be used to implement logic where the select lines are the inputs to a function, and the outputs to the function are hardwired to input values for the MUX.

A MUX is an interesting circuit as it actually contains a decoder circuit as part of its implementation. This allows the MUX to be more easily built using a decoder, and shows a valid use for a decoder.

8.8 Exercises

1. Implement the 1 bit 4-to-1 MUX in Figure 8-9.
2. Implement a 1 bit 4-to-1 MUX using the 74139 decoder chip introduced in section 7.4. This will require both the 74139 decoder and 7404 inverter chip.
3. Implement the 1 bit 4-to-1 MUX using the 74139 decoder chip introduced in section 7.4, but do not use an inverter on the 74139 output. Instead use the enable low outputs from the 74139 chip directly. This allows the circuit to be implemented using only 3 chips, a 74139, a 7402, and a 7432 chip.

HINT: Remember deMorgan's Law, $AB = (A'+B)'$.

4. Implement a 1 bit 4-to-1 MUX using the 74153 chip, as in section 8.3.
5. Explain how a 1 bit 4-to-1 MUX can calculate any binary Boolean function. Because the MUX can calculate the result of any Boolean function, we call the MUX a *universal operation*.
6. In Logism implement an 8 bit 4-to-1 MUX using 8 4-to-1 MUXes.
7. In Logisim implement an 8-to-1 MUX using 2 4-to-1 MUXes and a 2-to-1 MUX.
8. In Logisim implement an 8-to-1 MUX using 4 2-to-1 MUXes and a 4-to-1 MUX.
9. In Logisim implement a circuit similar to the one in figure 8-10, but which produces output which is the opposite of the input switch (e.g. the LEDs are 0 when the switch is 1, and 1 when the switch is 0). Change the program in the breadboard to match this new logic.

Chapter 9 Memory basics - flip-flops and latches

9.1 Introduction

This chapter introduces the last IC needed for a CPU, memory. For example 4 memory cells, or registers, on a CPU may be labeled R1..R4. In this chapter how these memory locations stored data will be explained.



Figure 9-1: Memory in a CPU

Up to this point this text all of the circuits are simple, or non-sequential, circuits. These circuits are called simple because the current is applied and the circuit takes on a set of values specified by the Boolean function for the circuit. The circuits have no state, or memory, of what previous values the circuit had. In order to do interesting things, like running programs, a computer must have state.

The state of a circuit is the values of all memory which is stored. State is maintained in memory, and memory is just a place to store the values that make up the state. Circuits that contain state elements (memory) are called sequential circuits. This chapter will show how memory is implemented in hardware.

9.2 Background material

Memory is perhaps the hardest concept that is covered up to this time in the text. Therefore there is a lot basic material and background concepts which need to be covered before moving into how memory works directly. The concepts which will be covered in this section are:

- State
- Static and dynamic memory
- Square wave oscillation

9.2.1 State

It is easy to confuse state and memory, and this is often a problem for programmers at all levels of experience. The two are very different, and it is important to understand this difference to understand how a computer works. Memory is a place to store values; state is the value of all memory.

For example a 2-bit counter would have 2 bits of memory which would be used to store the current value in the counter ($00_2..11_2$) in the 2-bits. In a large computer state is the value of all

memory accessible in that computer. State is important because in hardware computers are most easily seen as simply machines that transition from one state to another using large black-boxes of circuits (called *combinational logic*) to determine the computer's next state.

To apply this to a computer, consider two numbers are to be added together. These numbers would be stored in two memory locations. These two memory locations would be used as input to a combinational circuit (an adder), and stored back to (possibly the same) memory location. Hence the operation can be thought of as a state transition where the initial state of the computer (S_0 , the two memory values) are added in a black block (combination logic implementing an adder), and the result is a new state (S_1 , with the value of a memory location changed).

9.2.2 Static and dynamic memory

The second important memory concept is the difference between the static and dynamic memory⁸. Dynamic memory, called DRAM, is implemented using a capacitor and a transistor, and so is simple and cheap. However, the capacitor leaks current, so it is necessary to recharge it every other clock cycle, making dynamic memory slow. Static memory, called SRAM, does not have to be recharged, so it is faster, but requires at least 5 gates to implement. This makes static memory both faster and more expensive. Both types of memory exist in a computer, but for now we will discuss memory in the CPU, so speed is the most important requirement and only static memory will be used. Dynamic memory will not be covered.

9.2.3 Square Wave

Contained in every computer is a system clock, which regulates how fast the computer executes instructions. This is often called the *clock speed* or *clock rate* of the computer. One of the functions of the system clock is to generate a signal called a *square wave*. A square wave is a pulse of current which alternates over time from a low voltage (0) to a high voltage (1). This is illustrated in Figure 9-2. In this figure the voltage is low from time t_0 to t_1 , t_2 to t_3 , t_4 to t_5 , etc. The voltage is high from time t_1 to t_2 , t_3 to t_4 , etc. This oscillation of voltage can be used to send a 0 or 1 value into a circuit, and be used to control the changing of the state in the circuit. A square wave will be used to implement state, and will be illustrated in the next section.



Figure 9-2: Square Wave

9.3 Latches

A latch is a way to implement a circuit which maintains a data value of high(1) or low (0) so long as current is maintained in the circuit. Latches implement static memory that is used to maintain

⁸ Computer science often reuses terms with very different meanings in different contexts. This happens here where static and dynamic memory mean how memory is allocated at a programming level, and how memory is implemented at a hardware level. Realize that there is no connection between the terms at the different levels of implementation (programming and hardware). Static and dynamic programming memory can exist in static or dynamic hardware memory.

the state of the CPU.

9.3.1 D latch

There are many types of latches, including the R-S latch, T latch, and D latch. The only latch needed in this text is the D latch, shown in Figure 9-3, so it will be the only one covered. A D latch is a circuit that is set using an input value named D and a clock pulse. When the clock pulse is high (or 1), the value of the D latch changes to the input value of D. When the clock cycle is low (or 0) the value of latch will maintain the last D value it received when a clock cycle was high. The value which is saved in the D latch is named Q, and both Q and its complement Q' are output from the circuit.



Figure 9-3: D latch

The truth-table in Figure 9-4 gives the characteristics of the D latch. While the value of clock is 0, the D latch does not change value, and thus $Q_{\text{new}} = Q_{\text{current}}$. When the clock is 1, the D latch is set to the input value of D, and Q_{new} takes on the value of D.

Input		Output	
D	Clock	Q _{new}	Comment
x	0	Q _{current}	State does not change
0	1	0	
1	1	1	

Figure 9-4: Characteristic truth-table for a D latch

To create multi-byte memory cells, multiple D latches are combined.

While the version of the D latch described above is sufficient for storing data values, to be useful in a CPU the D latch needs to have an addition input called an enable bit. The enable bit allows the D latch to be set in only specific situations, not simply every time the clock is high. The D latch with an enable bit is shown in the Figure 9-5.

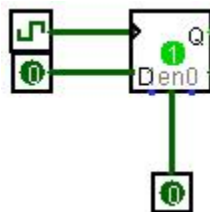


Figure 9-5: D latch with enable bit

The truth-table which characterizes this D latch is shown in Figure 9-6. The implementation of this version D latch is left as an exercise at the end of the chapter. Note that an X in a column is a *don't care* condition, e.g. it does not matter what value is used as this input is not used.

Input			Output	
D	Enable	Clock	Qnew	Comment
x	X	0	Qcurrent	State does not change
x	0	X	Qcurrent	State does not change
0	1	1	0	
1	1	1	1	

Figure 9-6: Truth-table for a D latch with enable bit

9.3.2 Circuit diagram for a D latch

The circuit diagram for a D latch is shown in Figure 9-7. This latch circuit will be explained in two steps. The first step will explain why the latch maintains its current state ($Q_{new} = Q_{current}$) if the clock is low. The second step will explain why the latch changes state ($Q_{new} = D$) if the clock is high.

In the first step, note that the lines InputA and InputB must always be high (1) if the Clock input is low (0). Therefore the area which is circled in the diagram below can be analyzed without considering any other part of the circuit.

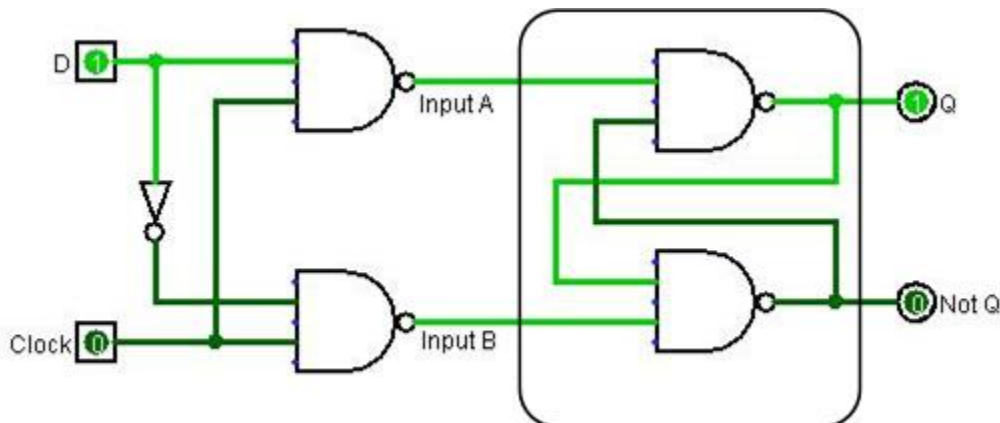


Figure 9-7: Circuit diagram for a D latch

Remember that a NAND of 1 with any value (e.g. Q) is simply its complement (e.g. Q'). So once the circuit is set, so that the outputs are Q and Q' , it is easy to see that the output of the top

NAND gate is Q (e.g. $(Q' * 1)' = Q$), and the output of the bottom NAND gate is Q' (e.g. $(Q * 1)' = Q'$). Thus if Q and Q' are loaded into the circuit and the clock is 0, the circuit will maintain the values of Q and Q' , and the latch keeps its current value.

Next the question is if the Clock line becomes high (1), how does it force the value of D into the latch. To see this, note that if the Clock become 1, the $\text{InputA} = D'$ and $\text{InputB} = D$ must be true. Thus one of the lines must be 0. Again consider the part of the circuit which has been circled. The line which is 0 will force its output to be 1 (e.g. if $\text{Input-A} = 1$, $Q = 1$, or if $\text{Input-B} = 0$, $Q' = 1$). This will eventually force the output of the other NAND gate to 0, though it might take some time to settle to this value. So long as the time needed for the circuit to settle is less than the clock speed (the length of the clock pulse), the circuit will become stable with $Q = D$ and $Q' = D'$. So the result of the clock being high is that the latch will store in its state the value of $Q = D$ and $Q' = D'$.

Before the first clock pulse, the state of the latch is simply invalid, and the value of the latch cannot be used until after it is set with the first clock pulse.

9.3.3 Implementing the D latch

Implementing the D latch will require 2 switches, one NOT gate (7404 chip) and 4 NAND gates (7400 chip), and 2 LEDs for Q and Q' . In this lab a clock is not used, and instead is simulated by the second switch. Also in this diagram the two lines running from the output of the NAND gates backwards to the input of the other NAND gate use green wire.

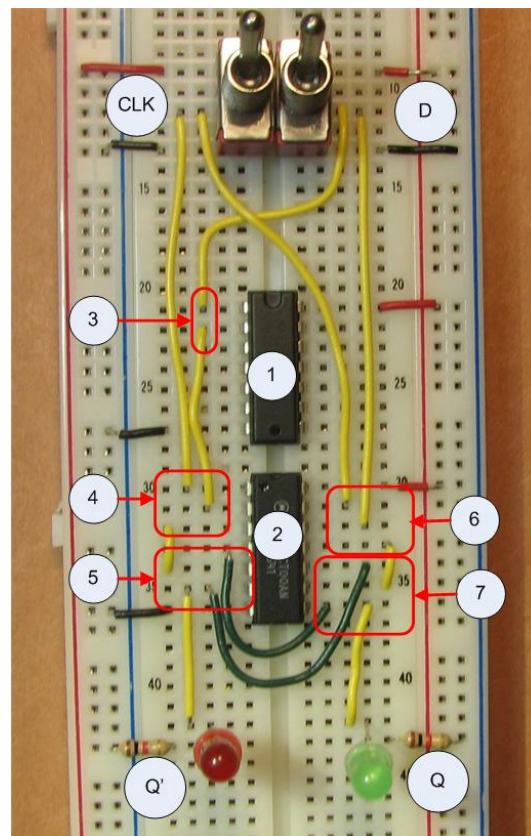


Figure 9-8: Implementation of a D latch

The following steps describe the implementation of the D latch, and correspond to the circuit in Figure 9-8.

0. Install and power two switches (D and Clock), and the two output LEDs (Q and Q').
1. Install and power the 7404 (NOT gate) chip.
2. Install and power the 7400 (NAND gate) chip.
3. Connect the D switch to the first NOT gate (pin 1 on the 7404 chip). The output from this NOT gate, D' , is on pin 2.
4. Connect the CLK switch and the D' output (pin 2 and on the 7404 chip) to the first NAND gate, pins 1 and 2 on the 7400 chip. The output from this NAND gate will be on pin 3 of the 7400 chip, and used in step 5 (pin 3 on the 7400 chip).
5. Connect the output from step 4 (pin 3 on the 7400 chip) to the second NAND gate (pin 4 on the 7400 chip). Connect the output from step 7 (pin 8 on the 7400 chip) to the second input (pin 5 on the 7400 chip). The output from this NAND gate (pin 6 on the 7400 chip) will be sent to Q' and used in step 7 (pin 10 on the 7400 chip).
6. Connect the D and Clock switches to the third input NAND gate (pins 12 and 13 on the 7400 chip). The output of this NAND gate will be on pin 11 of the 7400 chips, and used in step 7 (pin 9 on the 7400 chip).
7. Connect the output from steps 5 and 6 (pins 6 and 11 on the 7400 chip) to the inputs of the fourth NAND gate (pins 9 and 10 of the 7400 chip). The output from this NAND gate (pin 8 on the 7400 chip) will be sent to the input of step 4 (pin 4 on the 7400 chip), and to Q' .

When implemented correctly, the output Q and Q' lights will follow the D switch if the CLK switch is set to 1, or the *on* position. If the CLK is set to 0, or the *off* position, the lights will not change.

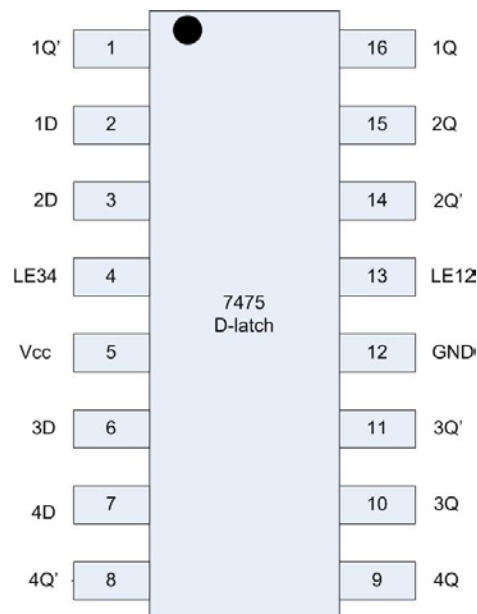


Figure 9-9: 7475 pin configuration

9.3.4 D latch as a single IC chip

The D latch is a common IC, and it has been implemented as a single chip, the 7475 chip. The 7475 chip is called *4-bit bistable latch* because each chip has four 1-bit D latches. A D latch is bistable because it has 2 stable states, 0 or 1. The circuit implemented here will use only one of the D latches available on the 7475 chip.

The layout of the 7475 chip is somewhat complex. The pin configuration is given in Figure 9-9 and a table for the meaning of each pin in Figure 9-10. The implementation of the circuit in this section will only use pins 1, 2, 5, 12, 13 and 16. The other pins will simply be left open, and not discussed further.

Symbol	Pin	Description
1Q'	1	complementary latch output 1
1D	2	data input 1
2D	3	data input 2
LE34	4	latch enable input for latches 3 and 4 (active high)
Vcc	5	positive supply voltage
3D	6	data input 3
4D	7	7 data input 4
4Q'	8	complementary latch output 4
4Q	9	latch output 4
3Q	10	latch output 3
3Q'	11	complementary latch output 3
GND	12	Ground
LE12	13	latch enable input for latches 1 and 2 (active high)
2Q'	14	complementary latch output 2
2Q	15	15 latch output 2
1Q	16	15 latch output 1

Figure 9-10: 7475 pin meanings

9.3.5 Implementation of a D latch using a 7475 chip

Figure 9-11 implements the same circuit as in Figure 9-8, but now the 7475 chip is used. The following steps outline how to implement this circuit, and the meaning of each connection.

0. Insert the switches for the inputs CLK and D, and the LEDs for the outputs Q and Q'.
1. Insert and power the 7475 chip. Note that the power is very different from any other chip that has been used up to this point. The positive and ground wires are on opposite sides of the chip, and they are on pins 5 and 12. Make sure you install the power correctly, and check the chip after powering it to see if it is hot. If it is hot, you have wired it incorrectly.
2. Connect the D input to pin 2 on the 7475 chip.
3. Connect the CLK to pin 13 on the 7475 chip. This is labeled LE12, or latch enabled input for latches 1 and 2, enabled high. Enabled high means connected to the positive rail or set to the value of 1, and enabled low means connected to the ground rail or set to the value of 0. So this chip enables latch 1, the one we are using, when the CLK switch is set to high.
4. Connect the Q output on pin 16 to the right LED.
5. Connect the Q' output on pin 1 to the left LED.

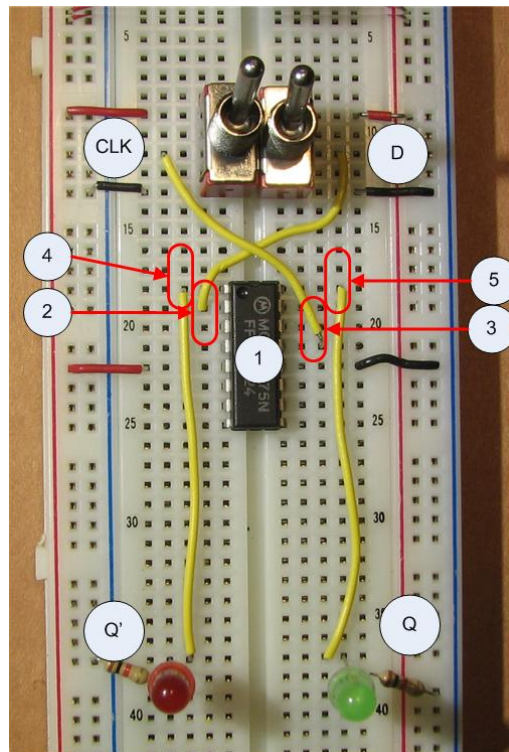


Figure 9-11: : D latch using a 7475 chip

This circuit should behave exactly like the circuit in Figure 9-8.

9.3.6 Limitations of the D latch

The D latch does store state, but it is inefficient when implemented in a sequential circuit. To understand why it is inefficient, consider the Figure 9-12, which implements a circuit where the D latch provides some part of the state, and a black box containing some combinational logic to

determine the next state. In this circuit, the result of that black box uses the current D input to determine the new state and set the D latch.

Consider the case where the black box takes longer than a half of the clock pulse, as shown in Figure 9-12. The D latch retains its value until the combinational logic is completed, which occurs when the CLK is low. Thus the value of the D is not changed until the next clock pulse, and the circuit is fine.

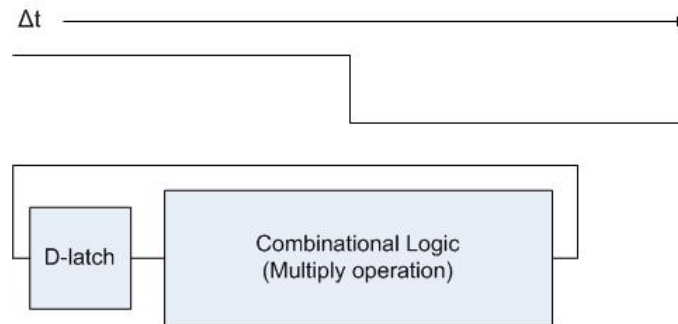


Figure 9-12: State transition with multiply operation

However, it is unreasonable to expect all instances of combinational logic to take the same amount of time. For example, the time to do addition is very much smaller than the time it takes to do multiplication. This situation is shown in Figure 9-13. Here the black box can execute faster than the clock can pulse. In this case the latch is changed in the middle of a state transition, and the new value will cause the combinational logic to continue to process the new value while the clock pulse is low. Therefore, the value the D latch will be set to when the clock pulses high again will be incorrect.

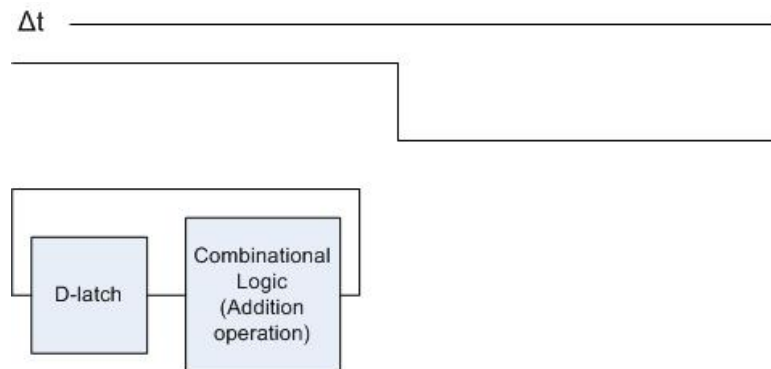


Figure 9-13: State transition with add operation

One way to handle this situation is to put two D latches in the circuit, one which is set when the clock is high and the other when the clock is low, as shown in the Figure 9-14. This allows the circuit to obtain a value from the second D latch while updating the first.

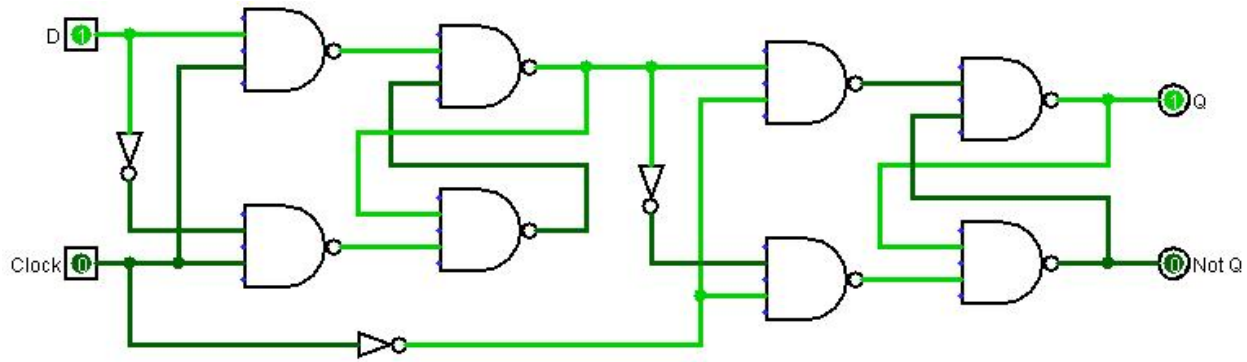


Figure 9-14: Two D latches to hold correct state

While this solves the problem of maintaining the proper state of the latch, it should be obvious that it is a problem because it more than doubles the size of the circuit needed. This is twice as expensive, uses twice as much power, and produces twice as much heat. A better solution is needed, and one that was developed is called an *edge triggered flip-flop*.

9.4 Edge triggered flip-flop

An edge triggered flip-flop (or just flip-flop in this text) is a modification to the latch which allows the state to only change during a small period of time when the clock pulse is changing from 0 to 1. It is said to trigger on the edge of the clock pulse, and thus is called an *edge-triggered flip-flop*. The flip-flop can be triggered by a raising edge (0→1, or positive edge trigger) or falling edge (1→0, or negative edge trigger). All flip-flops in this text will be positive edge trigger.

The concept behind a flip-flop is that current flowing within a circuit is not instantaneous, but always has a short delay depending on the size of the circuit, the gates that it must traverse, etc. This is illustrated in Figure 9-15. In this diagram, it would appear that the Boolean equation ($\text{true} \wedge \text{false}$) is always false, so this circuit should always produce a 0 output. However since there is a small but present lag in the current going over the NOT gate, there is a small but finite period of time when the two inputs to the AND gate would both be 1 (when the clock is transitioning from 0 to 1), and the output of the circuit would be 1.

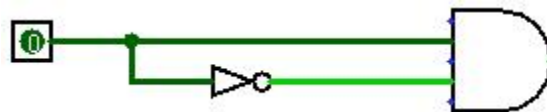


Figure 9-15: Small time delay rising edge

This amount of time, Δt , is shown on the square wave diagram in Figure 9-16. This time is called a raising edge trigger, and it is during this time interval that the above circuit would be 1.

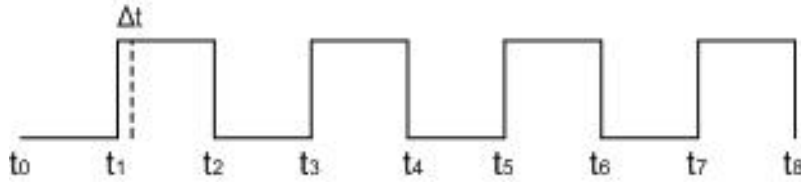


Figure 9-16: Edge trigger time in square wave

This short delay can be used to change the circuit such that it will only change during this brief edge trigger. Because Δt is smaller than any combinational logic, this removes the need to create a second latch to maintain a valid state. A circuit which implements this concept is shown in Figure 9-17.

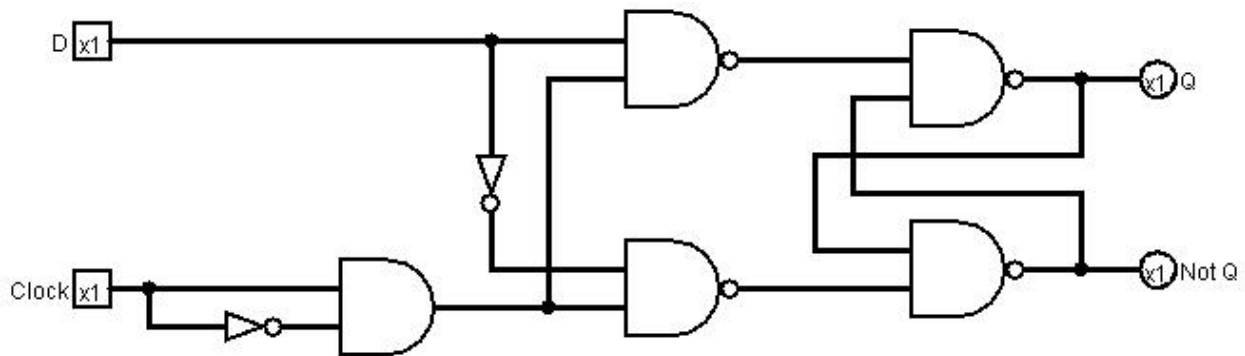


Figure 9-17: Illustrative example of D flip-flop

The problem with the circuit in Figure 9-17 is that it cannot guarantee that the time delay caused by the edge trigger is sufficient to allow the latch logic to obtain the correct state. The circuit in Figure 9-18 is a true implementation of a flip-flop. While it appears much more complex than the implementation in the Figure 9-17, it is left as an exercise to show that it contains exactly the same number of gates as the example above.

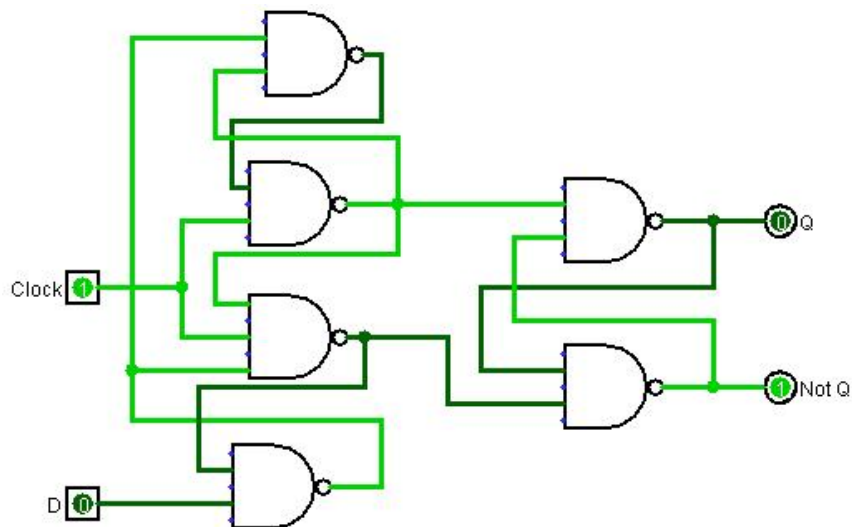


Figure 9-18: Actual implementation of a D flip-flop

Due to a problem known as debouncing, it is hard to illustrate a flip-flop in isolation as a circuit. So this chapter will not implement a flip-flop. However, a flip-flop will be used as part of the circuits in chapter 10.

9.5 Conclusion

Circuits which have memory and can maintain a state are called sequential circuits. Simple, or non-sequential, circuits are circuits which do not maintain a state using memory. Simple circuits can calculate results based on inputs, but to compute a useful result a circuit must be able to maintain a state.

This chapter introduced the concept of SRAM, and how it is implemented using only NAND and NOT gates. SRAM maintains its state so long as current is supplied to the circuit, and does not require a refresh cycle, making it faster than DRAM. But SRAM is also more complex than DRAM, so SRAM is more expensive than DRAM.

SRAM was implemented using a D latch circuit. The problem with using a latch in a circuit, that it requires two latches to be effective, was illustrated. The D flip-flop was then introduced to solve the problem with a D latch.

9.6 Exercises

1. Implement the D latch from Figure 9-8 using a breadboard.
2. Implement the D latch to include an enable line using Logisim. The enable line will be used to control when the D latch is set, so it is only set if the clock and enable line are high.
3. Implement the circuit from problem 2 using a breadboard.
4. Implement the D latch to include a synchronous clear line using Logisim. A clear line will set the value of the D latch to 0 on the next clock pulse.
5. Implement the circuit from problem 4 using a breadboard.
6. Implement a D flip-flop using the 7475 chip, as in figure 9-11.
7. Show that the circuits in Figure 9-17 and 9-18 have exactly the same number of gates.

Chapter 10 Sequential circuits

10.1 Introduction

Now that memory has been introduced it is possible to produce machines that change state. The ability to change the state of the computer forms the basis to do calculations.

In this chapter a state machine will be presented. This machine will use memory, implemented as latches or flip-flops, to define states. Events will be generated, in this case the pushing of a button to simulate a clock pulse, which will allow the state machine to transition to a new state. The relationship between the previous and successor states will be represented in a state transition table, and the table used to encode a simple program into a multiplexer. The program to be implemented is a simple mod 4, or 2-bit, up counter, which will count from 0..3.

10.2 Debouncing

Before beginning the discussion of sequential circuits, there is a problem which occurs when trying to simulate the rising edge of a clock in the circuit. In all of the labs up to this point the toggle switches appear to turn on and off cleanly. This is because the switches are used to represent a constant input to the circuit. The only state of interest is if the switch is 0 or 1. How quickly or cleanly the switch changed from 0 to 1 or 1 to 0 did not matter.

In reality no switch ever makes a clean transition between 0 and 1. Switches cannot turn on/off cleanly. All mechanical switches, when turned on or off, exhibit a period of time where the switch oscillates between on/off before it settles into a steady value. This oscillation is generally too fast for a human to notice, but the oscillations produce multiple square waves, and thus multiple edge triggers. These edge triggers are slow enough for a latch or flip-flop to see multiple phantom state changes instead of a single clean state change.

The lab in this chapter will demonstrate how a circuit can transition between defined states. This requires that each time the switch is thrown only a single edge is ever seen as being produced. The multiple edges being generated by the switch cause the circuit to behave incorrectly. So something must be done to get only a single state change when a switch is thrown.

To handle these multiple phantom state changes, the circuits need to be *debounced*. A simple way to think about debouncing is to realize that if multiple on/off signals are processed in a small amount of time, they are in reality just noise coming from the switch, and the edges should be combined into a single event.

Every type of switch, including the keys on the keyboard you type on, must be debounced. This debouncing is generally handled in software which is designed to filter out the noise of the switch. However the circuits we are looking at in this text do not implement a processor, so a software solution is not possible.

To debounce the circuits in this chapter a hardware approach is used. This hardware approach requires three parts be implemented in our circuit.

1. A small push button switch is substituted for our toggle switch. The push button provides a much cleaner input than the toggle switch, and so it is easier to get a single clean edge from the pressing of the button. The button does introduce a problem, and that is that it has only one input. Unless the button is pushed, it is neither positive or

ground. This is called an *open* state. All of the chips that have been used in circuits up to the time have been of the HC or HCT variety, largely because of their lower cost. But HC and HCT chips do not handle open states, so this lab requires the chip used to be the ttl version of the 7414 chip.

2. An extra capacitor be connected to the output of the push button switch. This capacitor helps to further clean up the edge.
3. A Schmitt inverter, which is a 7414 chip, is inserted into the circuit. A Schmitt inverted is a circuit implemented with *hysteresis*. Hysteresis means the output of a circuit is dependant not only on the current state, but on the history of its past inputs. So the Schmitt inverter again is used to help clean up the edges from the switch.

The implementation of the debouncing in the circuit will be presented with the circuits used in this chapter. How the debouncing circuit works is not a topic of this text, and so it is presented without further comment.

10.3 Implementing a state machine

10.3.1 Mod 4 counter

A mod (or modulus) 4 counter is a circuit that counts from 0..3. It is also called a 2-bit counter because the numbers from 0..3 can be represented using 2-bits (e.g. 00, 01, 10, 11)⁹. The state of the counter is represented in 2-bits, and so is stored in 2 flip-flops (or latches). Because the two flip-flops combine to make a single value, they are often called a 2-bit register.

The state transitions of this machine, as a counter, are 00->01->10->11->00. The machine just counts from 0 to 3 and starts over. This is represented in the following state diagram.

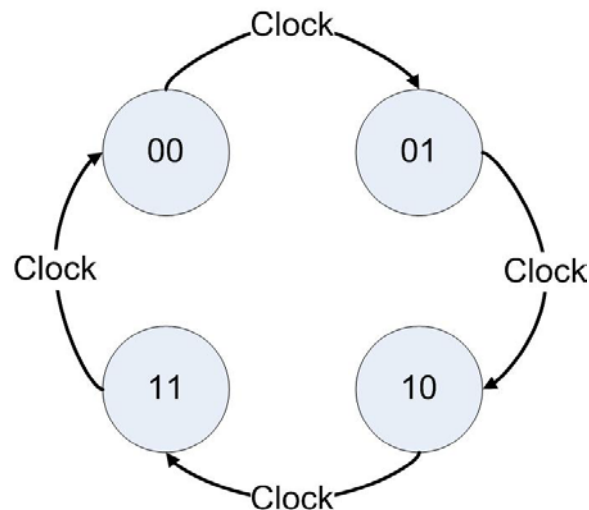


Figure 10-1: State diagram for a mod 4 counter

This state diagram can be written as a state transition table, as shown below.

⁹ The name mod 4 counter is more accurate because the 2-bit counter could be used to implement a mod 3 or mod 4 counter. This is more a problem with a 4-bit counter because it is often used as a decade (mod 10) counter or a hex (mod 16) counter.

Input			Output	
Q_{1old}	Q_{0old}	Clock	Q_{1new}	Q_{0new}
X	x	0	Q_{1old}	Q_{0old}
0	0	↑	0	1
0	1	↑	1	0
1	0	↑	1	1
1	1	↑	0	0

Figure 10-2: State transition table for a mod 4 counter

This table says that if the clock does not pulse, Q_1 and Q_0 retain their old values. When the clock generates an rising edge (↑), the values of Q_1 and Q_0 transition to the next value in the counter, or their next state.

10.3.2 Implementation of a state transition diagram

The following is a generic implementation of a state machines. There are two components. The first is a n-bit register, which is a collection of n 1-bit D flip-flops or D latches. These n 1-bit data values store the current state of the machine, and can store up to 2^n states. The register changes state when the clock generates a positive edge trigger, causing the flip-flops to take on a new value.

The register will output some set of values, and at the same time recycle its state back into a set of gates which will determine how to change the register to the next state. This set of gates will be called the *next state logic*. The output of the next state logic will be connected to the input to the registers so that when the clock pulses (or ticks), the register is loaded with the new values. This logic is represented in the following figure.

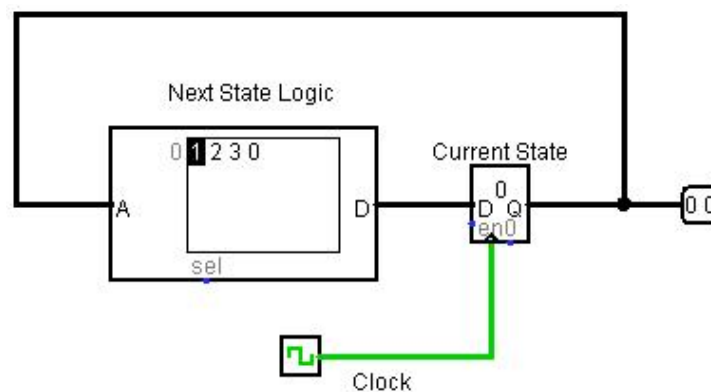


Figure 10-3: Circuit overview for a state machine

As this diagram shows that the input to the next state logic comes from the previous state. The next state logic uses the previous state to calculate the next state to store into the register. The clock tick then causes the register to store new state, which is feed back into the next state logic to calculate a new next state.

This overview explains how a state machine works, but has left open the question of how to implement the next state logic? There are two basic ways to implement this logic, either through hardware or using a *micro program*. A hardware implementation uses gates to calculate the new state. A micro program is implemented in using Read Only Memory (or ROM), and the next state is retrieved from an address given by the current state. These will be explained in the next two sections.

10.3.3 Hardware implementation of next state logic

The next state logic must take as input the current state and convert it to the next state. The state transition diagram in Figure 10-2 is very similar to a truth table, where Q_{0old} and Q_{1old} are the inputs to the circuit, and Q_{0new} and Q_{1new} are the outputs. From the state transition diagram, it is simple to solve for the Boolean expressions, which are $Q_{0new} = (Q_{0old}' * Q_{1old}') + (Q_{0old}' * Q_{1old})$, and $Q_{1new} = (Q_{0old} \text{ XOR } Q_{1old})$. The circuit diagram for this next state logic is shown in the following figure.

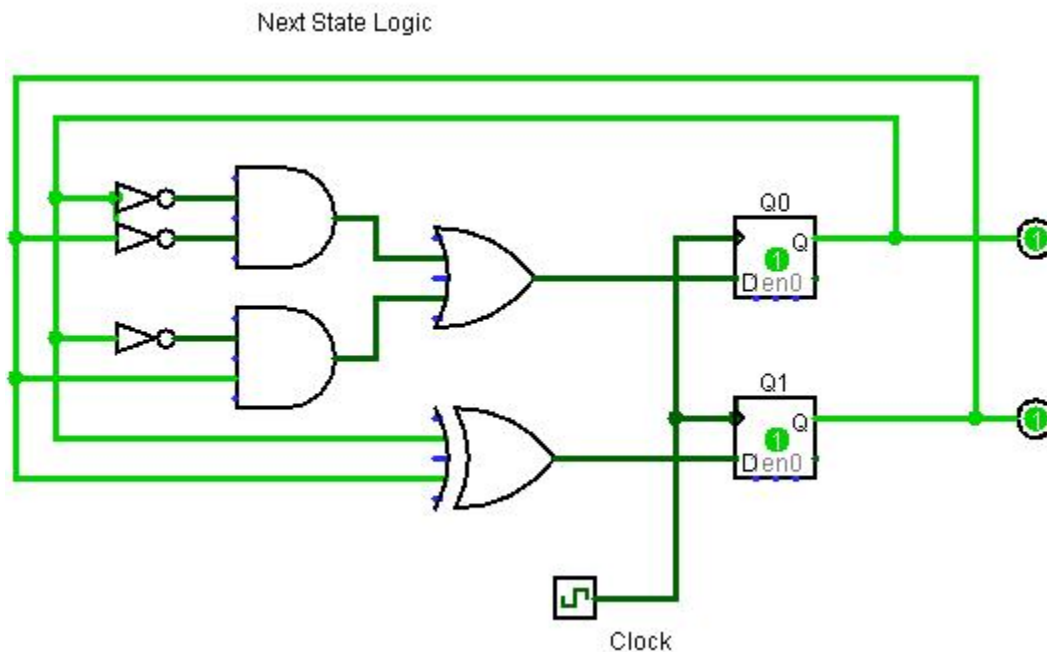


Figure 10-4: Hardware implementation for a mod 4 counter

In this figure, the next state logic is implemented using NOT, AND, OR, and XOR gates. It is actually a type of micro program which is implemented in hardware. This is called *hard wired* because the actual circuit to calculate the next state is wired into the circuit.

The problem with hard wired programs is that they cannot be easily changed. Modern computers generally do not implement the micro programs by hard wiring them, but use some type of read only memory.

10.3.4 Read Only Memory

Read Only Memory (ROM) is memory that is never written after it is first programmed¹⁰. It can be used to store programs that are used to initially boot a computer, or to store static data tables or micro programs used to specify how the internal hardware of the CPU works. The following is an example of the Mod 4 Counter shown using a ROM chip to implement the next state logic as a micro program.

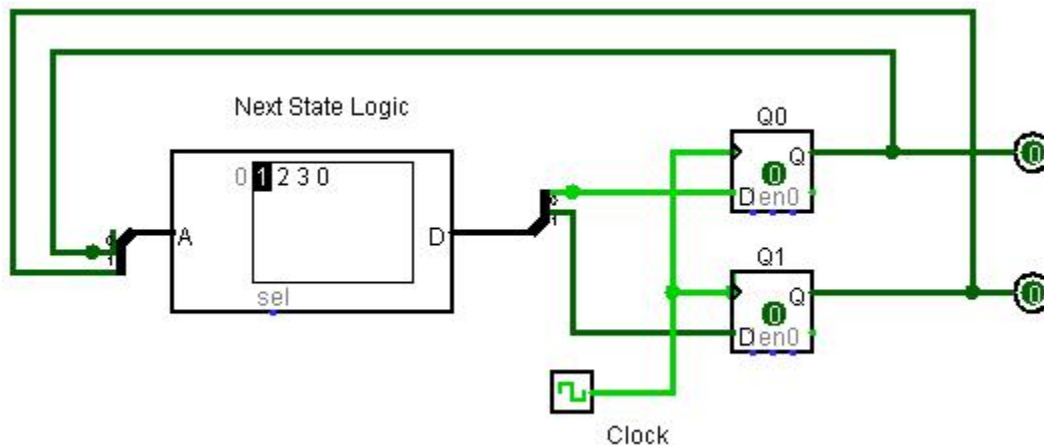


Figure 10-5: ROM implementation of a mod 4 counter

The ROM chip contains the micro program which implements the Mod 4 Counter. The next state for the mod 4 counter (1, 2, 3, and 0, or 00_2 , 01_2 , 10_2 , 11_2) is stored at an address corresponding to the current state of the mod 4 counter. Thus at address 0 the ROM program stores 1, to state that the next state from 0 is 1.

The address is the current state of the counter, which is the value currently stored in the registers. At address 0, the value 1 is stored, which says that when Q_0 and Q_1 are 00_2 , the ROM will read the value 01_2 from memory. Each time the clock ticks, the ROM chip sends the next value to the registers, which transitions to the next state in the counter.

ROM chips are a very good way to implement state transition tables, but require special hardware to create and program the ROM chips. So a simple trick will be used to implement ROM for our circuits, as was done in the switch mirroring circuit in section 8-6. This trick is to use a multiplexer with hard wired input for the micro program, and the select bits used to specify the address. This design is shown in Figure 10-6.

¹⁰ ROM and PROM chips are never changed once they are written. Some types of chips similar to ROM chips, such as EPROM or EEPROM, can be written in order to store a new program. But even these types of ROM chips are written to infrequently, and not meant to store transient data.

To understand this circuit, realize that each MUX chooses 1-bit for each of the 4 states. So when the state is 00_2 , the bottom MUX will choose the 0 bit and the top MUX will select a 1 bit, which gives a new state of 01_2 .

This circuit using the two MUXes to implement the micro program will be shown in the next section.

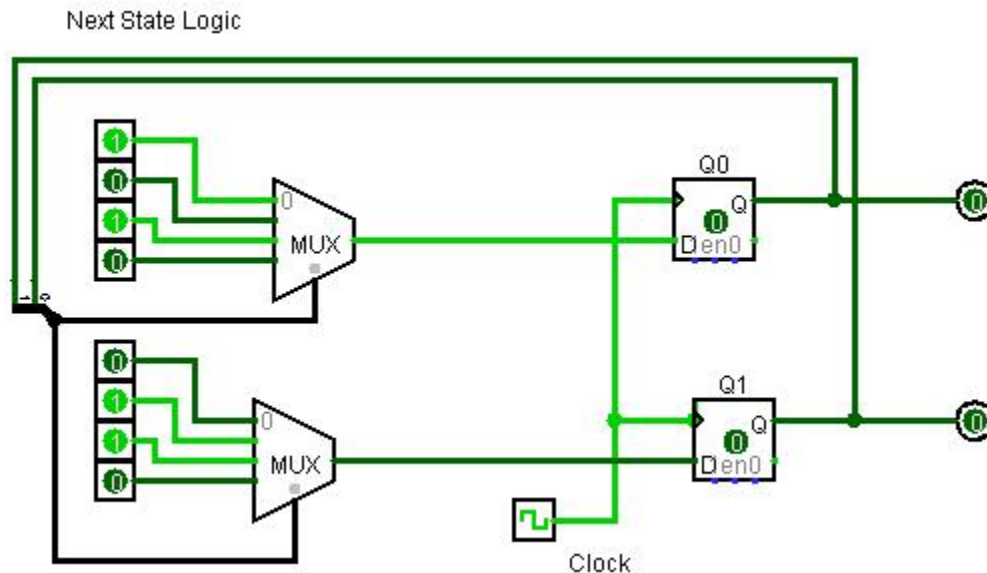


Figure 10-6: Mux implementation of next state logic for a mod 4 counter

10.3.5 Implementation of the Mod 4 counter

Figure 10-9 implements the Mod 4 counter. Steps 1 and 2 are needed to implement the debouncing for the circuit, and are presented with no explanation of how they work. This circuit generally works well if the button is pressed sharply and cleanly, but multiple signals will at times still be generated by the push button.

1. Place the push button switch on the board. The switch does have direction, so it must be inserted properly to work. The easiest way to get the direction correct is to put the switch across the center cut out in the breadboard. Because the legs on the button are hooked, there is only one direction to insert the push button, and that is the correct direction.

Connect the input of the chip to the negative rail. The output of the push button switch should be connected to the input of the 7414 Schmitt inverter in step 2. The output of the switch must also be connected to the negative rail by a 0.1 μ f capacitor. This capacitor is absolutely necessary for the circuit to work properly.

2. Place the 7414 Schmitt inverter chip on the board, and power it. The output from the 7414 chip is the two clock inputs for the 7474 chip in step 7.
3. Place the 74153 multiplexor chip on the board, and power it. The pin layout for the 74153 multiplexor is shown in Figure 10-7. Step 7 will discuss how to wire the chip to connect it to the circuit. The steps below discuss how to wire it.

- Power the chip with GND on pin 8 and Vcc on pin 16, as usual.
- Pins 1 and 15 are enable low. These enable the output from each MUX. We always want the output from the MUXes, so enable them by connecting these pins to low.

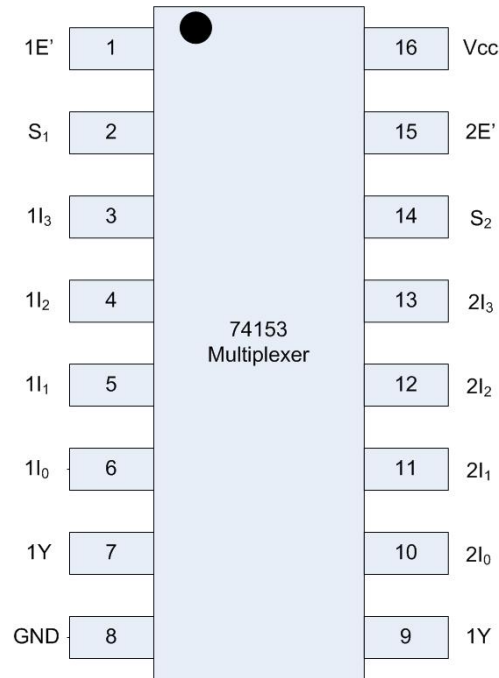


Figure 10-7: 74153 pin layout diagram

- Pins 3...7 and pins 10...14 are the inputs to each MUX. These pins are set to implement the program. **Note:** the pins are set from I_0 ... I_3 in an upward direction, not a downward direction. Implement the program in Figure 10-6 using 1I values of 0110 and 2I values of 1010.

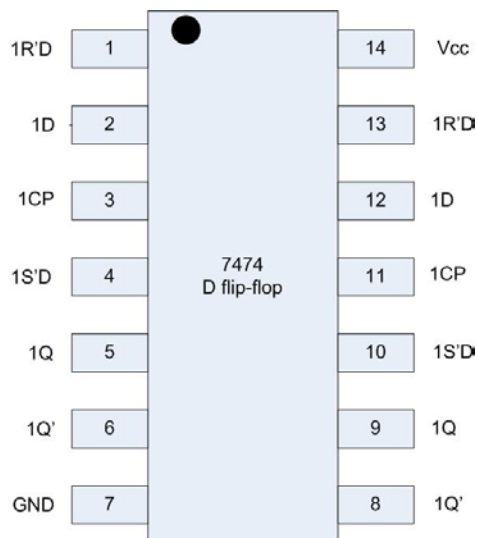


Figure 10-8: 7474 pin layout

4. Place the 7474 2-bit D flip-flop chip on the board and power it. The pin layout of the 7474 chip is in Figure 10-8. Step 8 will discuss how to wire the chip to connect it to the circuit. The steps below discuss how to wire it.
 - a. Power the chip with GND on pin 7 and Vcc on pin 8, as usual.
 - b. Pins 1, 4, 10, and 13 are for asynchronous set and reset. They are enabled low, so connect these pins to the positive rail to disable them.
5. Connect the push button switch to the input to a gate (pin 1) on the 7414 Schmitt inverter. The output of this gate (pin 2) will be used to both clocks on the 7474 2-bit D flip-flop chip.
6. Connect the 74153 chip (step 3) into the circuit. The inputs S_1 and S_0 (pins 2 and 14) are the outputs from the previous state, stored in the D flip-flops in step 4. These inputs use green wires to show that they are recycled from the output of a chip further down in the circuit. The outputs of the 74153 chip (pins 7 and 9) are the D input for the next state to the registers.
7. Connect the D inputs for the 7474 2-bit D flip-flop to pins 2 and 12. The clock inputs from step 2 are connected to pins 3 and 11. The outputs are the current state on 1Q and 2Q, pins 6 and 9. These output are used as inputs to the next state logic implemented in the MUX (step 6, the green wire), and to show the current state represented in the output LEDs.

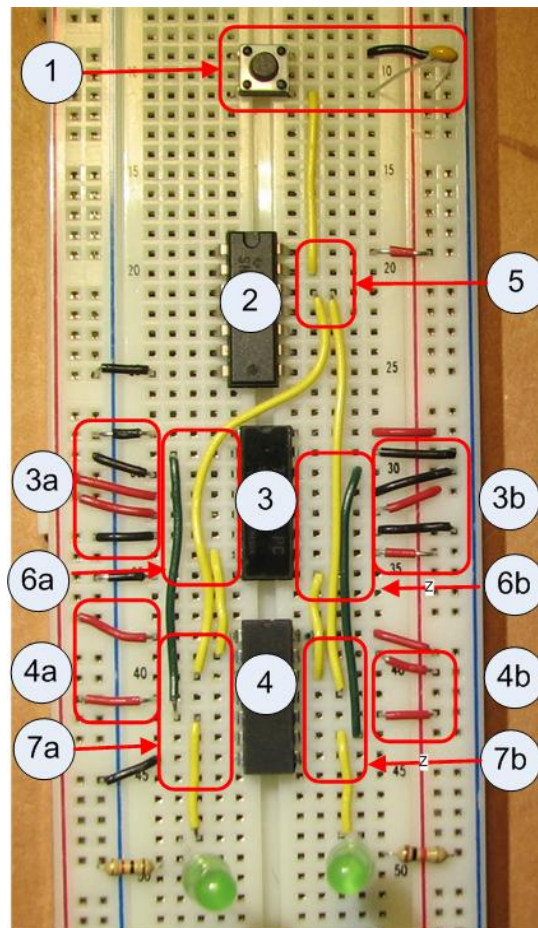


Figure 10-9: Mod 4 counter

When the push button switch is pressed, the LED lights should cycle through the states for 00->01->10->11->00.

10.4 Conclusion

State machines are simple calculation machines which use a state and next state logic to implement simple algorithms such as counters. State machines are also a part of any larger calculation machine such as a computer.

State machines can be implemented in hardware using some sort of memory to store a state, and next state logic which allows the machine to advance from one state to another. The memory used to store the state in this chapter was D flop-flops.

The next state logic was implemented in two ways in this chapter. The first was by a circuit which implemented combinational logic to calculate the next state of the circuit. The second way next state logic was implemented was using a ROM chip where the current state was used as an address to the memory in the ROM chip which contained a value for the next state. Using a ROM chip in this way was called micro-programming.

The chapter then continue by showing how a ROM chip could be simulated using a MUX with hard wired values as inputs, and the select lines as addresses to the values to choose.

10.5 Exercises

1. Implement a Mod 4 up counter using the 74153 chip to implement the next state logic as shown in section 10.3.
2. Implement the Mod 4 up counter using combinational logic to implement the next state logic, as shown in Figure 10.4
3. Implement a Mod 4 down counter, or a counter which counts 11->10->01->00->11. This counter will require that you modify the state diagram, state transition table, and your program. For this problem submit the state diagram, state transition table, Logisim diagram, and implemented circuit.
4. Implement the following up counters in Logisim:
 - a. Mod 6 counter
 - b. Mod 8 counter
 - c. Mod 10 (decade) counter.

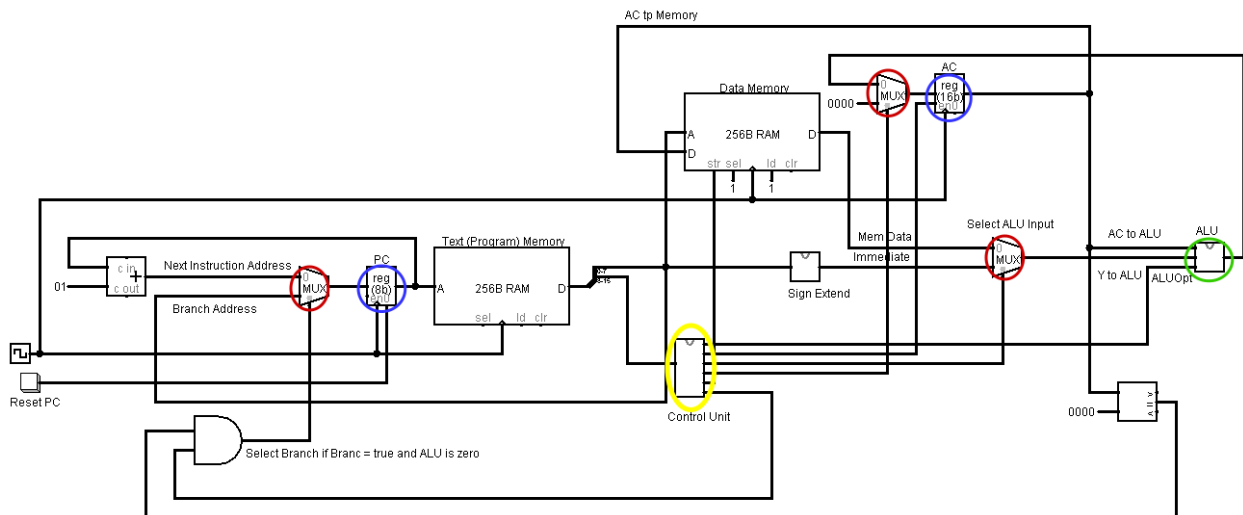
Chapter 11 Use of these ICs in a CPU

The IC's presented in this text are not useful in themselves, but are quite powerful building blocks in implementing larger integrated circuits. This chapter will examine a useful IC, a Central Processing Unit (CPU), where these circuits provide the backbone of how the CPU is implemented. The CPU that is presented can be downloaded from the free text [Implementing a One Address CPU in Logisim](#).

This chapter will not attempt to describe the CPU in detail, nor will it attempt to explain how to implement or use programs on this CPU. These details are covered in the referenced text. This chapter will instead break down the CPU components to highlight how the ICs are used in the CPU, to show how important the ICs covered in this text are.

11.1 An overview of the CPU.

The following figure is of the entire CPU that will be covered in this text. There are 3 Logisim sub circuits that are part of this CPU, two of which will be broken down to show how the ICs from this book. They are the Arithmetic Logic Unit (ALU), and the Control Unit (CU). These two units will be explained in terms of the entire CPU, and then shown as sub circuits to expose the decoder and adder circuits.



This CPU is an example of an accumulator or one-address architecture CPU. In all CPU designs, two operands are feed to the ALU, where the two operands are used to perform some operation and produce a result. In an Accumulator CPU, one of these operands is called the $\$pc$, which is memory on the CPU chip (called a register), and the other comes from either the instruction itself or memory. So a simple program to add two numbers, the value of variable A and the number 2, would look as follows:

```

clac      # set the $ac (accumulator register) to 0
add A     # add the value of A to the accumulator
addi 5    # add the number 5 to the value in the accumulator
stor B    # stor the accumulator value to memory variable B

```

The CPU keeps track of the statement to process using the Program Counter ($\$pc$) register. The $\$pc$ contains the address of the next instruction to execute. The CU takes the instruction, which is a 4-bit binary number, and breaks it down into control wires which specify how each component of the CPU (muxes, decoders, ALU, and memory) should behave for that instruction. The ALU does the actual operation that is requested (e.g. an add, subtract, etc.)

So for example the add A instruction. The CU would specify:

1. That the mux in front of the $\$pc$ select the input 0, which is the next instruction in the program (e.g. do not branch).
2. That the mux in front of the $\$ac$ select input 0, which is the result of the ALU, to store in the $\$ac$.
3. That the mux in front of the ALU select a value from memory, not the instruction.
4. That the ALU execution an addition operation.
5. That the value of the $\$ac$ not be stored back to memory.

The rest of this chapter will show how the IC's from this text are used in this design.

11.2 Flip Flops

All memory cells located in the CPU are called registered, and are implemented as D flip flops. These flip flops are also called static ram, or SRAM. In this CPU, the values of the $\$ac$ and $\$pc$, which store the current state of the CPU, are implemented as a group of 16 flip flops. These components are circled in red in Figure 11.1. Without flip flops, it would be impossible to maintain the state of the CPU, and the CPU could not do any useful work.

The number of registers in a CPU varies widely between the types of CPU, and even within a CPU itself. A more normal Accumulator CPU would have several more registers, such as a Memory Access Register ($\$mar$), and a temporary register ($\$temp$).

11.3 Muxes

When designing a CPU, muxes seem to pop up everywhere. They are the most used building block in a CPU, and most larger ICs. In the CPU presented in Figure 11.1, each mux is circled in blue, the following muxes are used.

1. There is a mux before the $\$pc$ register to select if the next sequential instruction in the memory is to be used, or if the program should branch to a non-adjacent instruction.
2. There is a mux before the ALU to select if the ALU operand will be retrieved from memory, or if the operand should be taken from the instruction itself.
3. There is a mux before the $\$ac$ register that determines if the instruction is to set the value of the $\$ac$ to 0, or if the value to be stored in the $\$ac$ comes from the ALU.

11.4 Adder

The ALU is the part of the CPU that implements operations, such as add, subtract, multiply, divide, OR, AND, shift, etc. The adder in this text was presented as an exemplar of an operation which would be done in the ALU. In this ALU, there is an ALUOpt control bus that consists of 4 wires, which can specify up to 16 operations. Only 4 operations are implemented in this ALU,

integer add, sub, multiply, and divide. All 4 operations are calculated all the time, but only one result is ever returned, and that result is selected by an ever ubiquitous mux.

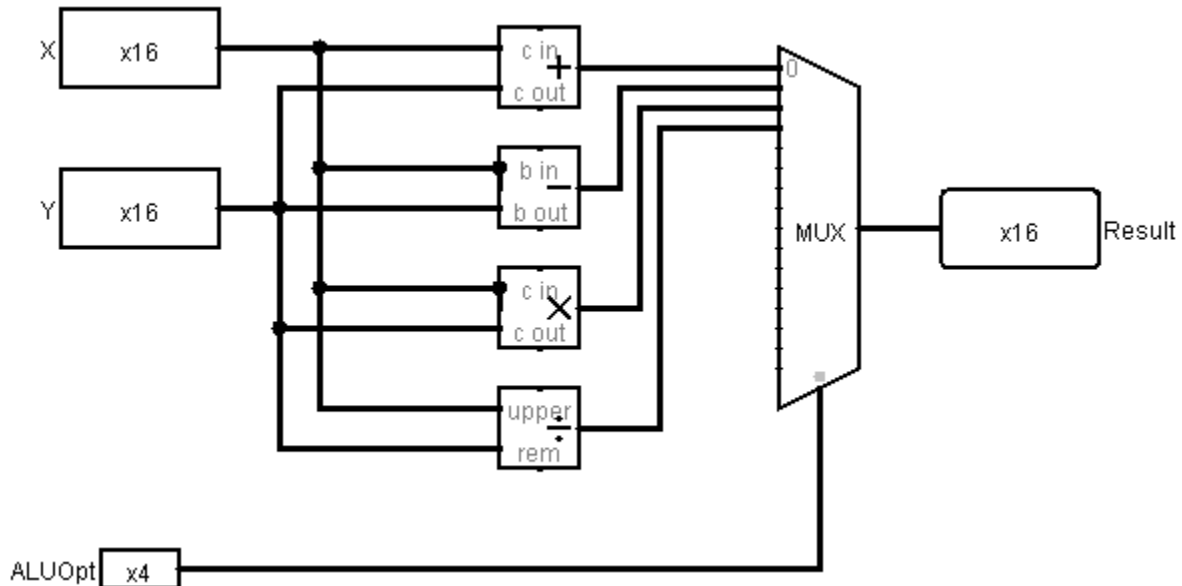


Figure 10-10: ALU Implementation

11.5 Decoder

Other than the fact that a decoder is present in a mux, the decoder is only present in this CPU in the CU. In the CU the decoder is used to break down the 4 bit input into the actual operations that the CPU is to perform. These operations are then combined to set the correct control wires for the CPU to perform this operation.

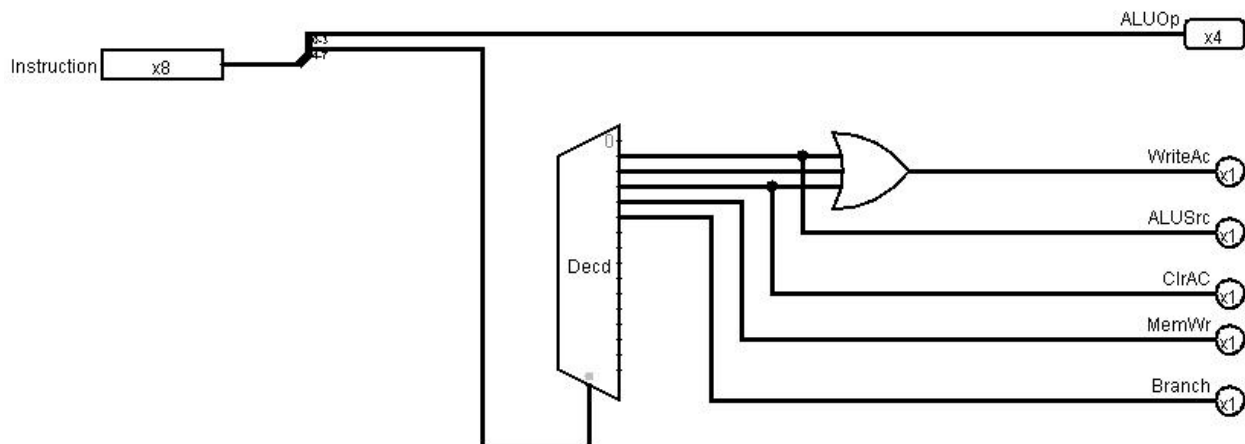


Figure 10-11: Decoder used in the CU for a CPU

11.6 Summary

This text was written to help students and hobbyists to understand what an IC is, and to give them some of the most basic ICs and shown how they can be implemented using only AND, OR,

NOT, NAD, and XOR gates. By actually implementing the ICs using a bread board and chips, the circuits were more concrete ideas rather than fuzzy concepts.

However up until this last chapter, the usefulness of these gates in larger ICs was not covered. This chapter showed how to use these simple building blocks could create an IC which has potential to implement useful hardware.

Index

- ' used as NOT operator, 20
- * as AND operator, 20, 48
- + used as OR operator, 20, 48
- 2 bit 4-to-1 mux, 80
- 2-bit adder circuit, 68
- 2-to-4 decoder implementation, 72
- 4-to-1 mux, 80
- 74153 circuit diagram, 85
- 7805 voltage, 40
- 7805 voltage regulator, 41
- 7-segment display, 30, 34
- accumulator architecture, 111
- adder, 69, 111, 112
- ALU, 61, 79, 111
- analytical engine, 13
- AND gate circuit, 49
- AND, OR, and NOT are universal, 21
- Arithmetic Logic Unit, 61, 111
- associative boolean operators, 55
- associative operations in Logisim, 55
- binary addition, 61
- binary logic, 47
- binary operators, 48
- binary variable value
 - 0/1, 19, 47
 - high/low, 47
 - on/off, 47
 - true/false, 19, 47
- Boolean algebra, 19, 22
- Boolean logic, 47
- Boolean operation
 - AND, 47
 - NOT, 47
 - OR, 47
- Boolean operator
 - AND, 13, 48
 - NAND, 13
 - NOT, 13, 48
 - or, 48
 - OR, 13, 48
- breadboard, 37
- breadboard layout, 38
- carry digit, 62
- Central Processing Unit, 13, 111
- Charles Babbage, 13
- chip datasheet, 50
- Chip Logic Type
 - HC, 15
 - HCT, 15
 - tTl, 15
- chip orientation, 50
- chip pins, 50
- chips getting hot, 51
- Chips used in text
 - 7400 NAND gate, 15
 - 7400 NOT gate, 94
 - 7402 NOR gate, 15
 - 7404 hex Inverter (NOT gate), 15
 - 7404 NOT gate, 72, 76, 94
 - 7408 AND gate, 15, 49, 51, 63, 66, 73, 83
 - 74139 decode, 74
 - 74139 decoder, 16, 74, 76
 - 7414 Schmitt inverter (NOT gate), 106
 - 7414 Schmitt Inverter (NOT gate), 15
 - 74153 multiplexer, 16, 85, 86, 106
 - 7432 OR gate, 15, 66, 83
 - 7474 D flip flop, 15, 108
 - 7475 D latch, 96
 - 7475 D-latch, 95
 - 7486 XOR chip, 63
 - 7486 XOR gate, 15, 66
 - 7805 voltage regulator, 15
- C_{in} , 65
- Circuit diagram for a D latch, 92
- clock rate, 90
- clock speed, 90
- combinational logic, 90
- Computers are machines, 17
- Control Unit, 71, 111
- C_{out} , 65
- CPU, 13, 14, 71, 79, 89, 91, 111
- Creating the AND circuit, 51
- CU, 71, 79, 111
- D flip flop, 112
- D flip-flop, 99, 100
- D latch, 91, 100
- D latch enable bit, 91
- datasheet, 50
- Debouncing, 101
- Debugging the circuit, 45
- decoder, 77, 111
- Decoder, 71, 113

- Decoder circuit, 71
- DeMorgan's Law, 22, 32
- Disjunctive Normal Form, 21
- DNF, 21
- don't care conditions, 30
- DRAM, 100
- dynamic memory, 90
- Edge triggered flip-flop, 98
- enable input low, 75
- enable low*, 77
- falling edge, 98
- flip flop, 112
- flip-flop, 98
- full adder, 64
- full adder circuit, 65
- full adder implementation, 66
- gate
 - AND, 13, 49
 - NAND, 13
 - NOT, 13, 48
 - OR, 13, 49
 - XOR, 49
- gates, 13
- GND, 50, 51
- Gray Code, 23
- half adder, 61
- half adder circuit, 62
- half adder implementation, 63
- Hardware implementation of next state logic, 104
- hardware needed for circuits, 14
- high speed CMOS, 15
- high speed CMOS, ttl compatible, 15
- How a flip flop work, 98
- How a latch works, 92
- How to name logic chips, 14
- hysteresis, 102
- IC, 13
- Implementation of the Mod 4 counter, 106
- Implementing a ROM chip with a mux, 106
- Implementing a state machine, 102
- Implementing a state transition diagram, 103
- Implementing one 2-to-4 decoder using the 74139 chip, 76
- Implementing the D latch, 93
- Implementing the switch circuit to turn on a light, 36
- Integrated Circuit, 13
- inverter*, 48
- Karnaugh map, 24
- Karnaugh Map, 23
- K-map
 - 3-variable, 25
- K-map, 24
- K-map
 - 4-variable, 27
- labeling on chip, 49
- latch, 90
- laws of magic, 13
- LED installation direction, 45
- Limitations of the D latch, 96
- list of Boolean relationships, 22
- Logisim, 14
- Logisim circuit to turn on a light, 35
- memory, 89
- micro program*, 104
- minimum Boolean expression, 31
- minimum set of Boolean operations, 19
- minterm, 21
- Mod 4 counter, 102
- multiplexer, 79
- mux, 112
- mux select bits, 79
- mux width (number of data bits), 79
- negative edge trigger, 98
- next state logic, 104
- non-sequential circuit, 89
- one-address architecture, 111
- operations code, 71
- Parts needed for labs
 - 1k resistor, 16
 - 9V battery, 16
 - 9V battery snap, 16
 - bladed screw driver, 16
 - breadboard, 16
 - capacitors, 16
 - green led, 16
 - needle nose pliers, 16
 - push button switch, 16
 - red led, 16
 - toggle switches, 16
 - wire, 16
 - wire stripper, 16
- pin configuration diagram, 51
- positive edge trigger, 98
- rail on breadboard, 37

raising edge, 98
Read Only Memory, 104, 105
Real flip flop implementation, 99
register, 89, 104, 111, 112
ripple-carry adder, 65
ROM, 104, 105
selector circuit, 79
sequential circuit, 89, 100
simple circuit, 89
square wave, 90
SRAM, 100
state, 89, 90, 91, 100
state diagram, 102
state transition tables, 105
Stripping wires, 38
sum or products, 21
system clock, 90
transistor-transistor logic, 15
truth table, 20, 23
truth-table, 47
unary operation, 47
universal Boolean operations, 19
universal Boolean operator, 32
VCC, 50, 51
Warnings for labs, 17
What is an edge trigger, 98
Why minimize number of gates, 22
Wire strippers, 38
wiring convention, 16
XOR operator, 32